

1 2 3 4

A

A

B

B

C

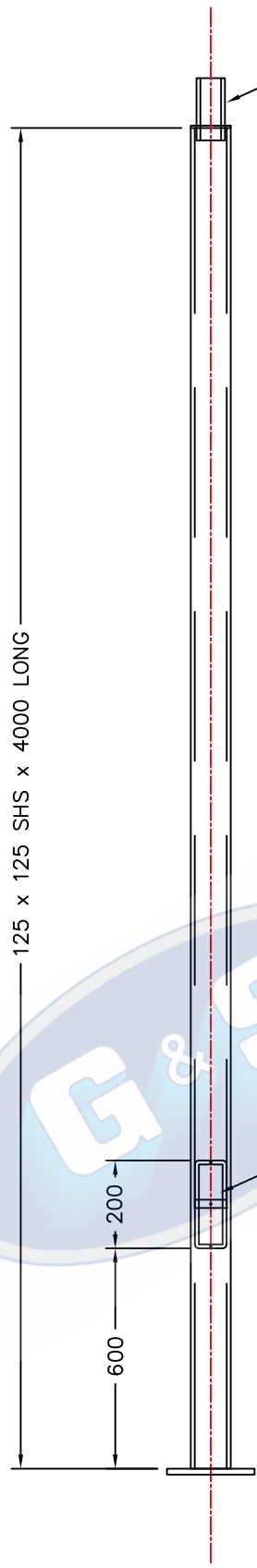
C

D

D

E

E



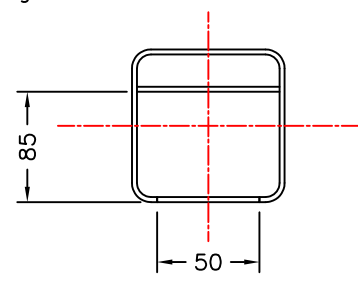
Spigot to suit headframe or light fitting.

125 x 125 SHS x 4000 LONG

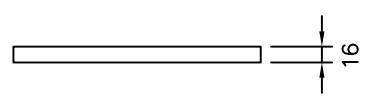
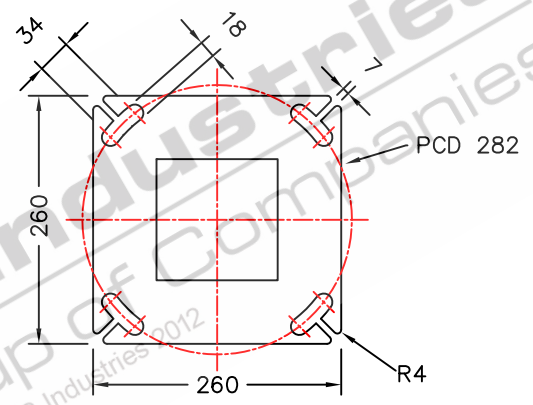
200
600

Flush door 200x50 clear opening with 1x fuse mounting strap C/W 6mm tapped hole.

COLUMN WEIGHT: 68 KG'S



DOOR CLEARANCES



GKA3B
BASEPLATE DETAILS

- STANDARDS**
 ALL PRODUCTS TO CONFORM TO THE FOLLOWING AUSTRALIAN STANDARDS
 * AS 1170.2: Structural design actions – Wind actions.
 * AS 1302: Geometrical product specifications indication of surface texture in technical production documentation.
 * AS 1554(set) Structural steel welding set.
 * AS 2159: Piling – Design & Installation.
 * AS 2870: Residential slab footings – Construction.
 * AS 3600: Concrete structures.
 * AS 3678: Structural steel – Hot rolled plates, floorplates and slabs.
 * AS 4680: Hot dip galvanized (Zinc) Coatings on fabricated ferrous articles.
 * AS/NZS 4671: Steel reinforcing materials.
 * AS/NZS 4600: Cold formed steel structures.
 * AS/NZS 4676: Structural design requirements for utility services poles.



97 GUTHRIE STREET OSBORNE PARK W.A. 6017
 PH. (08) 9446 8044, (08) 9446 8266
 FAX (08) 9446 5456

JOB No	DATE:	DESIGN# SG	DRAW# ZL
SQUARE SHS COLUMN S125B4		CHECKED# RG	APPROVED Y
4m POST TOP COLUMN		LAST REVISED: 6 NOV '10	SCALE NTS
BASEPLATE MOUNTED		DRAWING ZLRG2116	REVISION 02
660006			

1 2 3 4