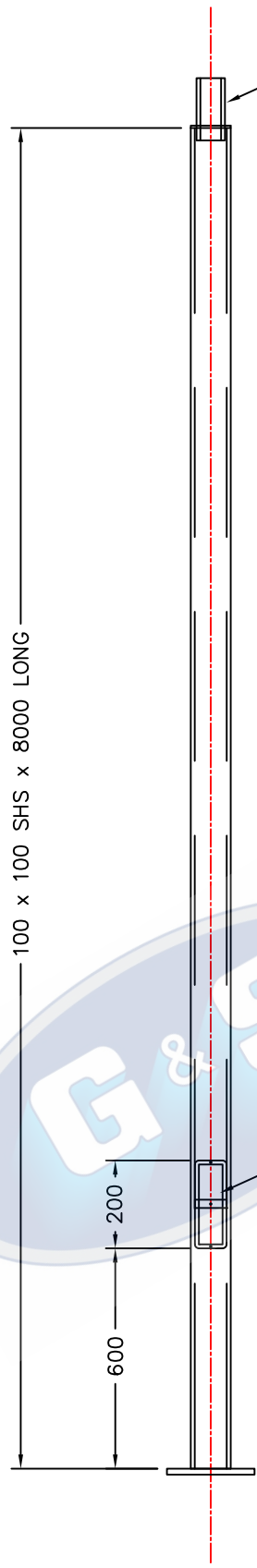


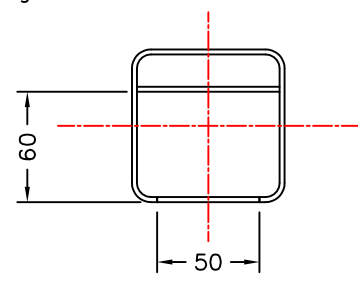
1 2 3 4

A

A



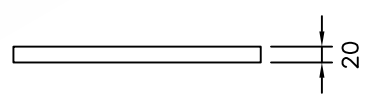
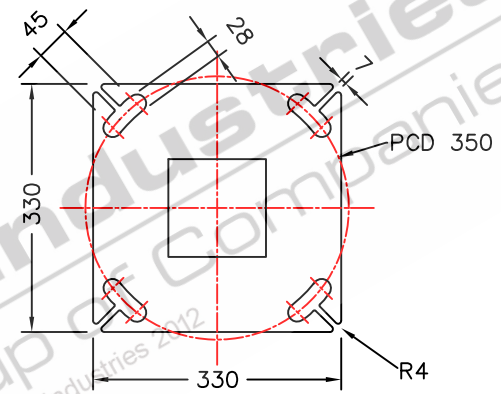
Spigot to suit headframe or light fitting.



DOOR CLEARANCES

B

B



B3B
BASEPLATE DETAILS

C

C

D

D

COLUMN WEIGHT: 81 KG'S

- STANDARDS**
 ALL PRODUCTS TO CONFORM TO THE FOLLOWING AUSTRALIAN STANDARDS
 * AS 1170.2: Structural design actions – Wind actions.
 * AS 1302: Geometrical product specifications indication of surface texture in technical production documentation.
 * AS 1554(set) Structural steel welding set.
 * AS 2159: Piling – Design & Installation.
 * AS 2870: Residential slab footings – Construction.
 * AS 3600: Concrete structures.
 * AS 3678: Structural steel – Hot rolled plates, floorplates and slabs.
 * AS 4680: Hot dip galvanized (Zinc) Coatings on fabricated ferrous articles.
 * AS/NZS 4671: Steel reinforcing materials.
 * AS/NZS 4600: Cold formed steel structures.
 * AS/NZS 4676: Structural design requirements for utility services poles.



97 GUTHRIE STREET OSBORNE PARK W.A. 6017
 PH. (08) 9446 8044, (08) 9446 8266
 FAX (08) 9446 5456

JOB No	DATE:	DESIGN: SG	DRAWN: ZL
SQUARE SHS COLUMN S100B8 8m POST TOP COLUMN BASEPLATE MOUNTED 660004		CHECKED: RG	APPROVED Y
		LAST REVISED: 11 DEC '10	SCALE NTS
		DRAWING ZLRG2113	REVISION 03

1 2 3 4

E

E