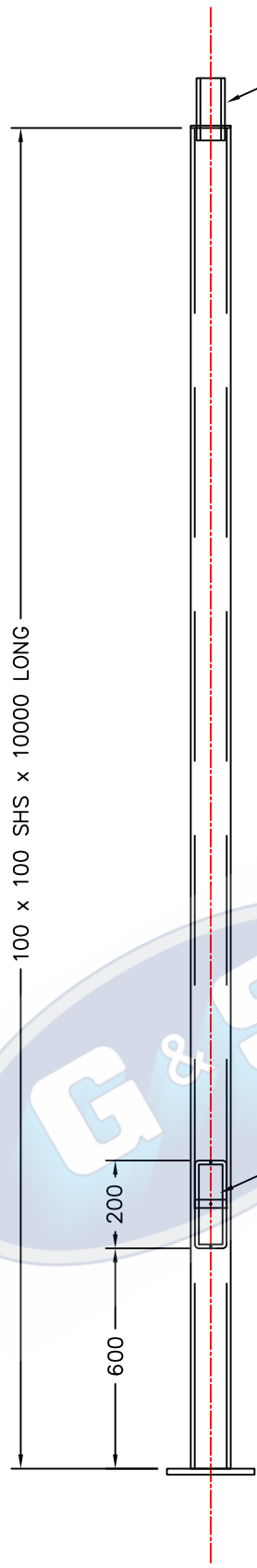


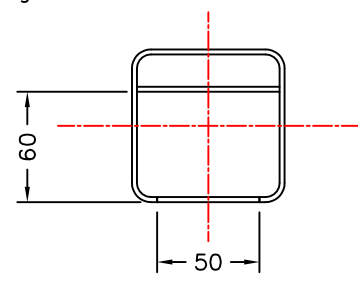
1 2 3 4

A

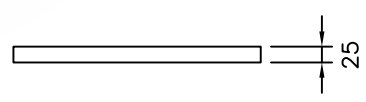
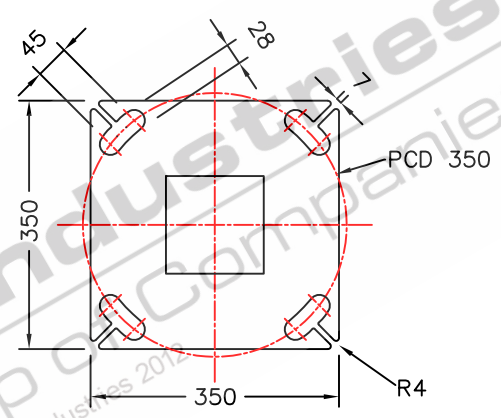
A



Spigot to suit headframe or light fitting.



DOOR CLEARANCES



C3B  
BASEPLATE DETAILS

Flush door 200x50 clear opening with 1x fuse mounting strap C/W 6mm tapped hole.

COLUMN WEIGHT: 102 KG'S

- STANDARDS**  
 ALL PRODUCTS TO CONFORM TO THE FOLLOWING AUSTRALIAN STANDARDS  
 \* AS 1170.2: Structural design actions – Wind actions.  
 \* AS 1302: Geometrical product specifications indication of surface texture in technical production documentation.  
 \* AS 1554(set) Structural steel welding set.  
 \* AS 2159: Piling – Design & Installation.  
 \* AS 2870: Residential slab footings – Construction.  
 \* AS 3600: Concrete structures.  
 \* AS 3678: Structural steel – Hot rolled plates, floorplates and slabs.  
 \* AS 4680: Hot dip galvanized (Zinc) Coatings on fabricated ferrous articles.  
 \* AS/NZS 4671: Steel reinforcing materials.  
 \* AS/NZS 4600: Cold formed steel structures.  
 \* AS/NZS 4676: Structural design requirements for utility services poles.

D

D

E

E



97 GUTHRIE STREET OSBORNE PARK W.A. 6017  
 PH. (08) 9446 8044, (08) 9446 8266  
 FAX (08) 9446 5456

JOB No	DATE:	DESIGN: SG	DRAWN: ZL
SQUARE SHS COLUMN S100B10		CHECKED: RG	APPROVED Y
10m POST TOP COLUMN		LAST REVISED: 27 NOV '10	SCALE NTS
BASEPLATE MOUNTED		DRAWING ZLRG2114	REVISION 02
660005			

1 2 3 4