

1

2

3

4

A

A

B

B

C

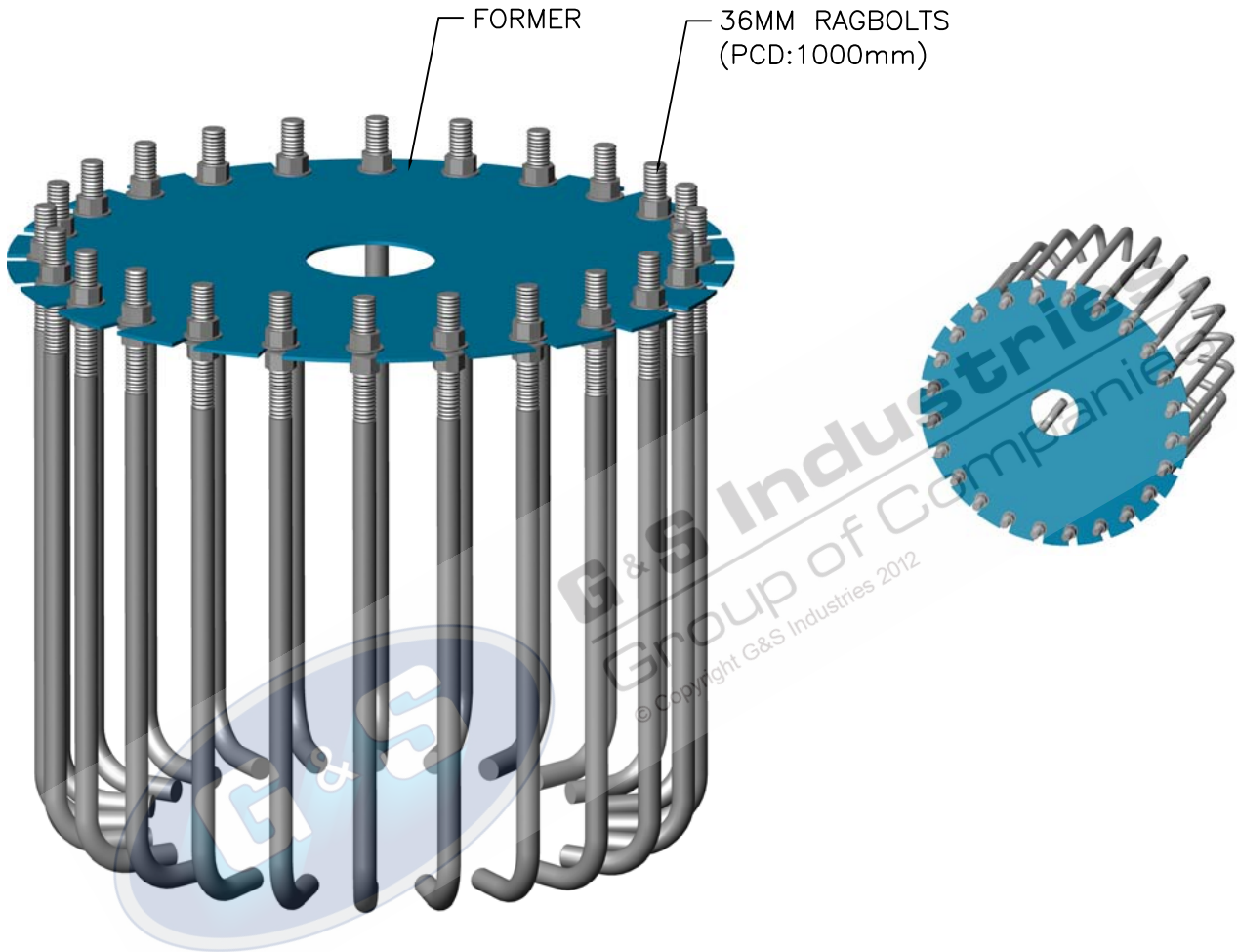
C

D

D

E

E



TOTAL HEIGHT: 1010m
 TOTAL WEIGHT: 283kg's

- STANDARDS**
 ALL PRODUCTS TO CONFORM TO THE FOLLOWING AUSTRALIAN STANDARDS
- * AS 3678: 1990 Structural steel – hot rolled plates, floor plates and slabs. Grade 250 up to 3mm and Grade 300 on 4mm plate.
 - * AS 4680: 1999 Hot dipped galvanised (zinc) coating on fabricated ferrous articles.
 - * AS 1554 1:2004 Structural steel welding – Part 1: welding of steel structures.
 - * AS/NZS 1170 2:2002 Structural design actions – wind actions.
 - * AS/NZS 1170 2:2002/AMDT 1:2005-06-03 Structural design actions – wind actions.
 - * AS/NZS 4676:2000 Structural design requirements for utility service poles.



G&S Industries

97 GUTHRIE STREET, OSBORNE PARK W.A. 6017
 PH (08) 9446 8044. (08) 9446 8266
 FAX (08) 9446 5456

JOB NO.	DATE:	DESIGN:	DRAWN:
36MM RAGBOLT ASSEMBLY 890018B R36/24/1000		S.G.	Z.L.
		CHECKED:	APPROVED:
		R.G.	Y
		LAST REVISED:	SCALE:
		30 MAR '07	NTS
		DRAWING:	REVISION:
		ZLRG2236A	01

1

2

3

4