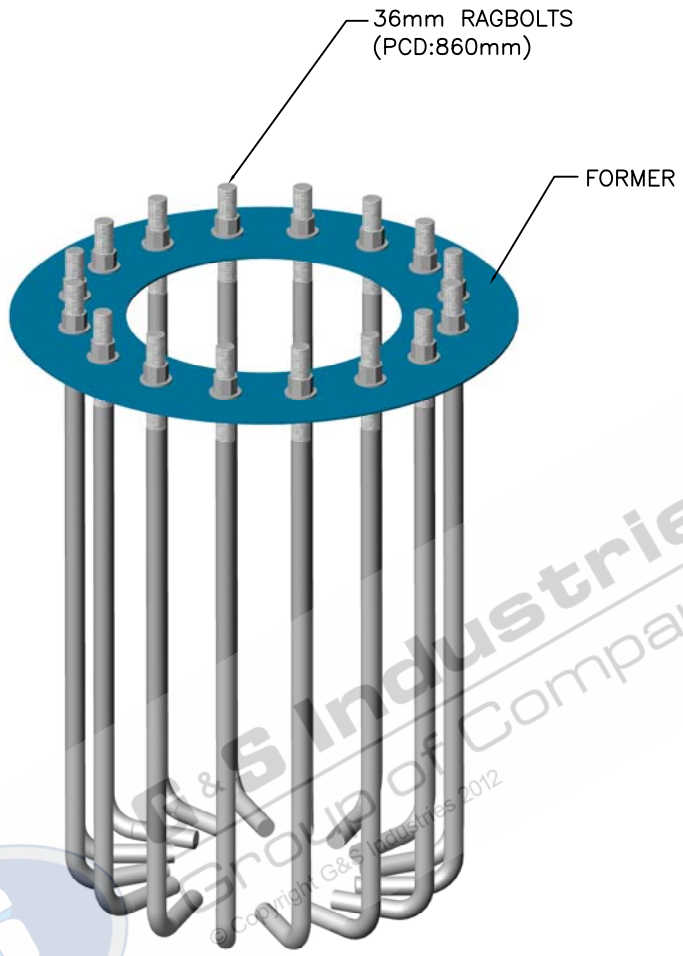


1 2 3 4

A

A



HEIGHT: 1010mm
WEIGHT: 189 kg's


- STANDARDS**
ALL PRODUCTS TO CONFORM TO THE FOLLOWING AUSTRALIAN STANDARDS
- * AS 1170.2: Structural design actions – Wind actions.
 - * AS 1302: Geometrical product specifications Indication of surface texture in technical production documentation.
 - * AS 1554(see): Structural steel welding set.
 - * AS 2150: Piling – Design & installation.
 - * AS 2870: Residential slab footings – Construction.
 - * AS 3600: Concrete structures.
 - * AS 3678: Structural steel – Hot rolled plates, floorplates and slabs.
 - * AS 4680: Hot dip galvanized (Zinc) Coatings on fabricated ferrous articles.
 - * AS/NZS 4671: Steel reinforcing materials.
 - * AS/NZS 4600: Cold formed steel structures.
 - * AS/NZS 4676: Structural design requirements for utility services poles.

D

D

E

E

 G&S Industries 97 GUTHRIE STREET, OSBORNE PARK W.A. 6017 PH (08) 9446 8044. (08) 9446 8266 FAX (08) 9446 5456	JOB NO.	DATE:	DESIGN:	DRAWN:
	36mm RAGBOLT ASSEMBLY 890018A R36/16/860		S.G.	Z.L.
			CHECKED:	APPROVED:
			R.G.	Y
		LAST REVISED:	SCALE:	
		14 NOV '06	NTS	
		DRAWING:	REVISION:	
		ZLRG2236	01	

1 2 3 4