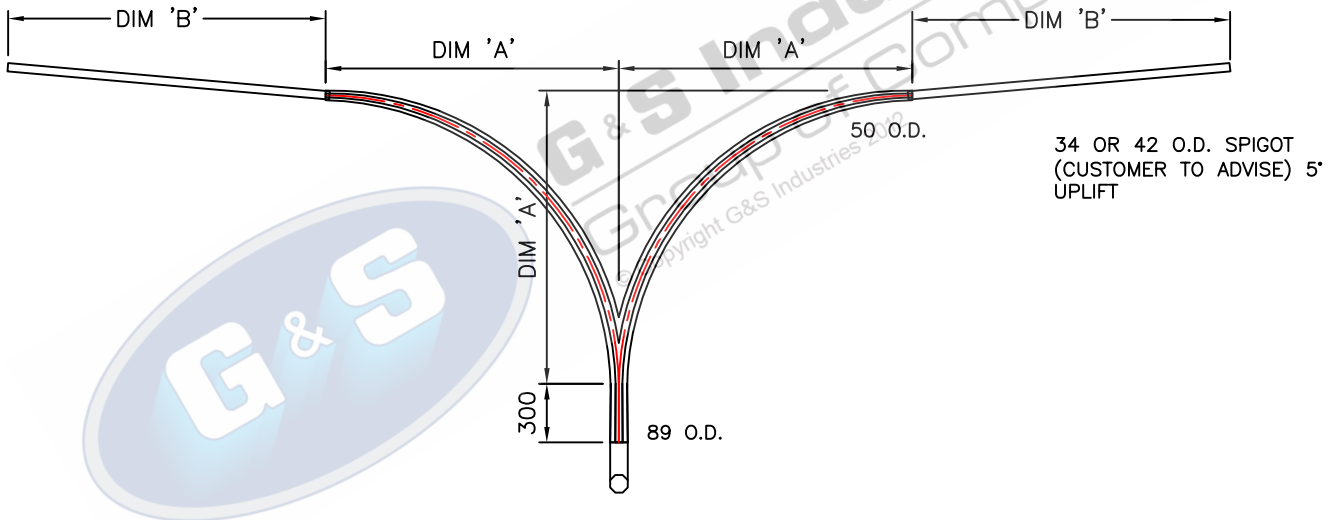


CURVED SINGLE					
ITEM	WEIGHT (KG's)	PART NO.	ALT PART NO.	DIM 'A'	DIM 'B'
1000mm Curved Single Tap/Oct Outreach Arm	12	OA 1000 C S	890413	1000	150
1500mm Curved Single Tap/Oct Outreach Arm	14	OA 1500 C S	890414	1500	150
2000mm Curved Single Tap/Oct Outreach Arm	16	OA 2000 C S	890415	1500	650
2500mm Curved Single Tap/Oct Outreach Arm	17	OA 2500 C S	890416	1500	1150
3000mm Curved Single Tap/Oct Outreach Arm	19	OA 3000 C S	890417	1500	1650



CURVED DOUBLE					
ITEM	WEIGHT (KG's)	PART NO.	ALT PART NO.	DIM 'A'	DIM 'B'
1000mm Curved Double Tap/Oct Outreach Arm	22	OA 1000 C D	890419	1000	150
1500mm Curved Double Tap/Oct Outreach Arm	26	OA 1500 C D	890419A	1500	150
2000mm Curved Double Tap/Oct Outreach Arm	30	OA 2000 C D	890419B	1500	650
2500mm Curved Double Tap/Oct Outreach Arm	32	OA 2500 C D	890419C	1500	1150
3000mm Curved Double Tap/Oct Outreach Arm	36	OA 3000 C D	890419D	1500	1650

- STANDARDS**
ALL PRODUCTS TO CONFORM TO THE FOLLOWING AUSTRALIAN STANDARDS
- * AS 1170.2: Structural design actions – Wind actions.
 - * AS 1302: Geometrical product specifications indication of surface texture in technical production documentation.
 - * AS 1554(set): Structural steel welding set.
 - * AS 2159: Piling – Design & Installation.
 - * AS 2870: Residential slab footings – Construction.
 - * AS 3600: Concrete structures.
 - * AS 3678: Structural steel – Hot rolled plates, floorplates and slabs.
 - * AS 4680: Hot dip galvanized (Zinc) Coatings on fabricated ferrous articles.
 - * AS/NZS 4671: Steel reinforcing materials.
 - * AS/NZS 4600: Cold formed steel structures.
 - * AS/NZS 4676: Structural design requirements for utility services poles.



G&S Industries

97 GUTHRIE STREET, OSBORNE PARK W.A. 6017
PH (08) 9446 8044. (08) 9446 8266
FAX (08) 9446 5456

JOB NO.	DATE:	DESIGN:	DRAWN:
OUTREACH ARMS (CURVED)		S.G.	Z.L.
		CHECKED:	APPROVED:
		R.G.	Y
		LAST REVISED:	SCALE:
		4 SEPT '06	NTS
		DRAWING:	REVISION:
		ZLRG2166	01