

1

2

3

4

A

A

B

B

C

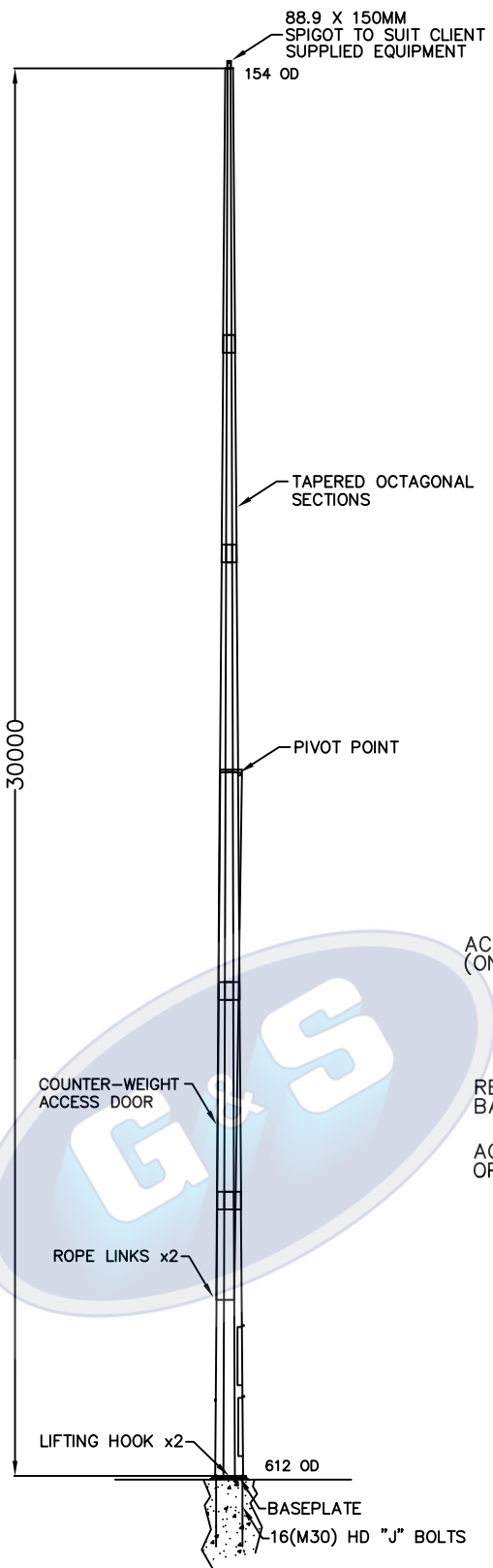
C

D

D

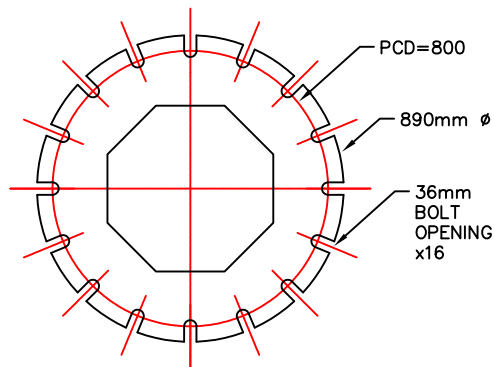
E

E



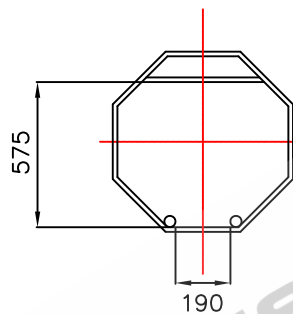
ELEVATION

TOTAL WEIGHT OF COLUMN: 2580KG'S



BASEPLATE THICKNESS: 40mm

BASEPLATE DETAILS

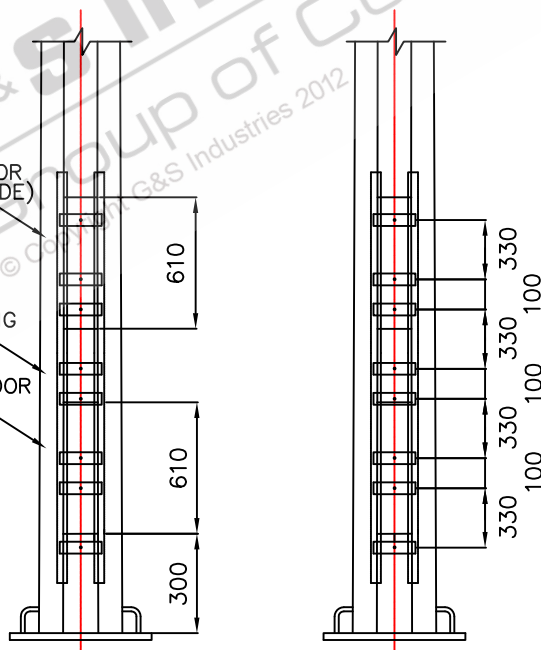


CONTROL GEAR CLEARANCE DETAILS

ACCESS DOOR (ON FAR-SIDE)

REINFORCING BAR

ACCESS DOOR OPENING



ELEVATION ON DOORS

DOORS REMOVED FOR CLARITY

STANDARDS

- ALL PRODUCTS TO CONFORM TO THE FOLLOWING AUSTRALIAN STANDARDS
- AS 1170.2: Structural design actions - Wind actions.
 - AS 1302: Geometrical product specifications indication of surface texture in technical production documentation.
 - AS 1554(set) Structural steel welding set.
 - AS 2159: Piling - Design & Installation.
 - AS 2870: Residential slab footings - Construction.
 - AS 3600: Concrete structures.
 - AS 3678: Structural steel - Hot rolled plates, floorplates and slabs.
 - AS 4680: Hot dip galvanized (Zinc) Coatings on fabricated ferrous articles.
 - AS/NZS 4671: Steel reinforcing materials.
 - AS/NZS 4600: Cold formed steel structures.
 - AS/NZS 4676: Structural design requirements for utility services poles.



G&S Industries

97 GUTHRIE STREET, OSBORNE PARK W.A. 6017
PH (08) 9446 8044. (08) 9446 8266
FAX (08) 9446 5456

JOB NO.

DATE:

DESIGN:

S.G.

DRAWN:

Z.L.

30M MID-HINGED TAPERED OCTAGONAL COLUMN
MH30BM
630011

CHECKED:

R.G.

APPROVED:

Y

LAST REVISED:

19 DEC '09

SCALE:

NTS

DRAWING:

ZLRG2076

REVISION:

03

1

2

3

4