

1

2

3

4

A

A

B

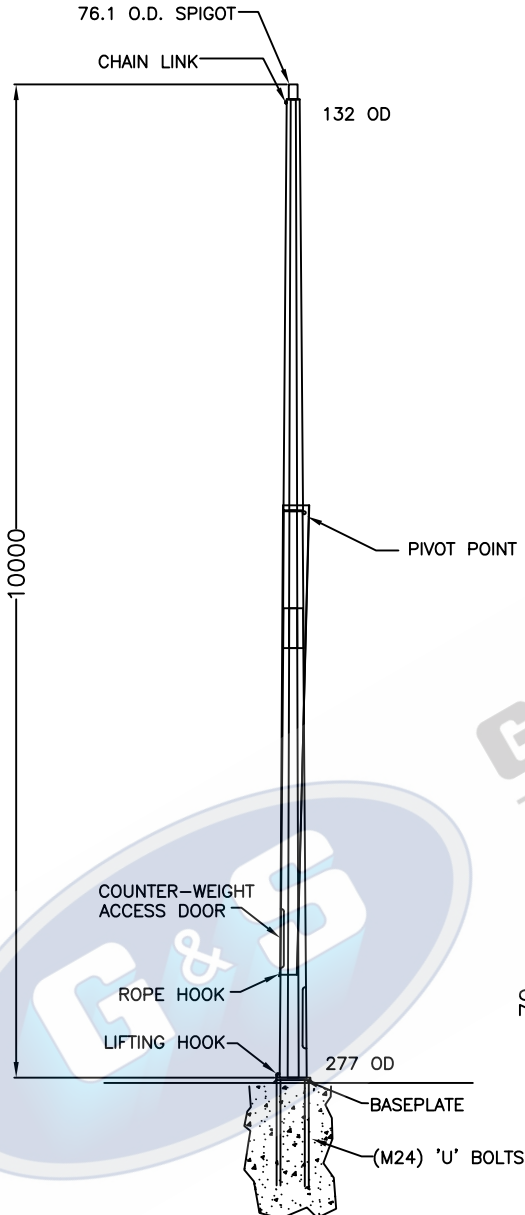
B

C

C

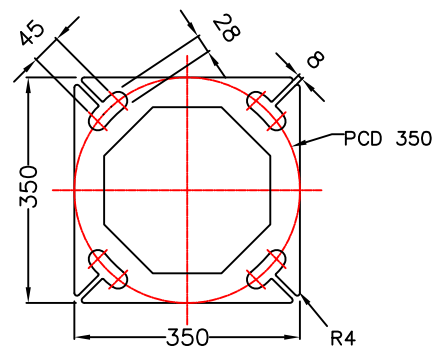
D

D

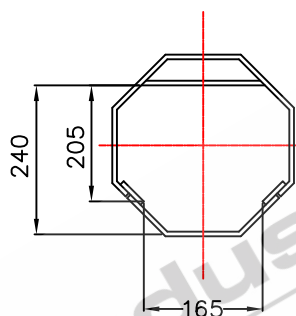


ELEVATION

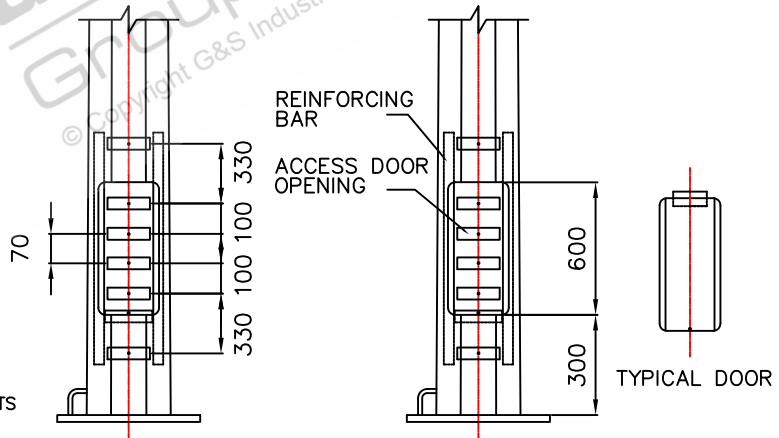
TOTAL WEIGHT OF COLUMN: 308KG'S



**BASEPLATE THICKNESS: 25mm
BASEPLATE DETAILS**



**CONTROL GEAR
CLEARANCE DETAILS**



**ELEVATION ON DOOR
DOOR REMOVED FOR CLARITY**



G&S Industries
Group of Companies

**Client Drawing Approval
To Commence Production**

Client Name: _____
Authorized Person: _____

Signature: _____ Date Authorized: _____

- STANDARDS**
ALL PRODUCTS TO CONFORM TO THE FOLLOWING AUSTRALIAN STANDARDS
- * AS 1170.2: Structural design actions - Wind actions.
 - * AS 1302: Geometrical product specifications indication of surface texture in technical production documentation.
 - * AS 1554(set) Structural steel welding set.
 - * AS 2159: Piling - Design & Installation.
 - * AS 2870: Residential slab footings - Construction.
 - * AS 3600: Concrete structures.
 - * AS 3678: Structural steel - Hot rolled plates, floorplates and slabs.
 - * AS 4680: Hot dip galvanized (Zinc) Coatings on fabricated ferrous articles.
 - * AS/NZS 4671: Steel reinforcing materials.
 - * AS/NZS 4600: Cold formed steel structures.
 - * AS/NZS 4676: Structural design requirements for utility services poles.



G&S Industries

97 GUTHRIE STREET, OSBORNE PARK W.A. 6017
PH (08) 9446 8044. (08) 9446 8266
FAX (08) 9446 5456

JOB NO.	DATE:	DESIGN:	DRAWN:
10M MID-HINGED TAPERED OCTAGONAL COLUMN MH10BH 630005A		S.G.	Z.L.
		CHECKED:	APPROVED:
		R.G.	Y
		LAST REVISED:	SCALE:
		4 SEPT '06	NTS
		DRAWING:	REVISION:
		ZLRG2065	01

1

2

3

4

E

E