

1

2

3

4

A

A

B

B

C

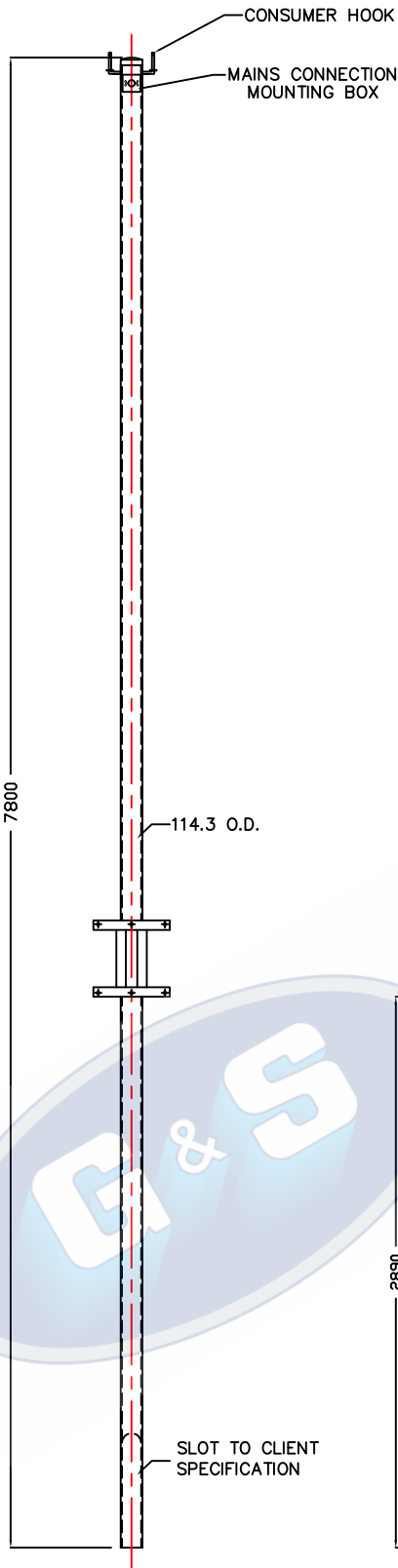
C

D

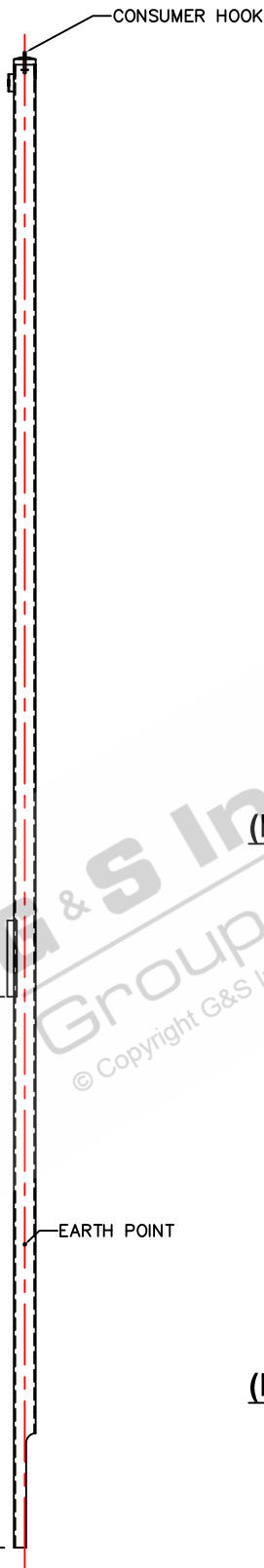
D

E

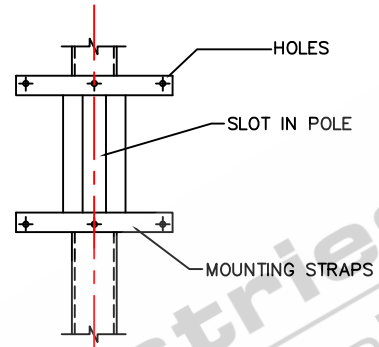
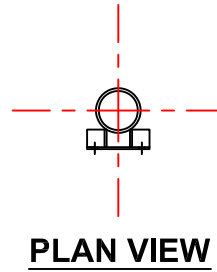
E



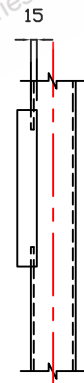
FRONT VIEW



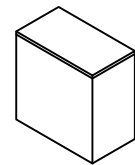
RIGHT VIEW



**FRONT VIEW
(DETAIL) OF TOP**



**RIGHT VIEW
(DETAIL) OF TOP**



450 x 450 x 250mm
METER BOX

- STANDARDS**
ALL PRODUCTS TO CONFORM TO THE FOLLOWING AUSTRALIAN STANDARDS
- * AS 1170.2: Structural design actions – Wind actions.
 - * AS 1302: Geometrical product specifications indication of surface texture in technical production documentation.
 - * AS 1554(set): Structural steel welding set.
 - * AS 2159: Piling – Design & Installation.
 - * AS 2870: Residential slab footings – Construction.
 - * AS 3600: Concrete structures.
 - * AS 3678: Structural steel – Hot rolled plates, floorplates and slabs.
 - * AS 4680: Hot dip galvanized (Zinc) Coatings on fabricated ferrous articles.
 - * AS/NZS 4671: Steel reinforcing materials.
 - * AS/NZS 4600: Cold formed steel structures.
 - * AS/NZS 4676: Structural design requirements for utility services poles.



97 GUTHRIE STREET, OSBORNE PARK W.A. 6017
PH (08) 9446 8044. (08) 9446 8266
FAX (08) 9446 5456

JOB NO.

DATE:

DESIGN:

Z.L.

DRAWN:

Z.L.

POWER CONNECTION COLUMN
MC7.8BF114
600013

CHECKED:

R.G.

APPROVED:

Y

LAST REVISED:

30 MAY '09

SCALE:

NTS

DRAWING:

ZLRG2025

REVISION:

02

1

2

3

4