

1

2

3

4

A

A

B

B

C

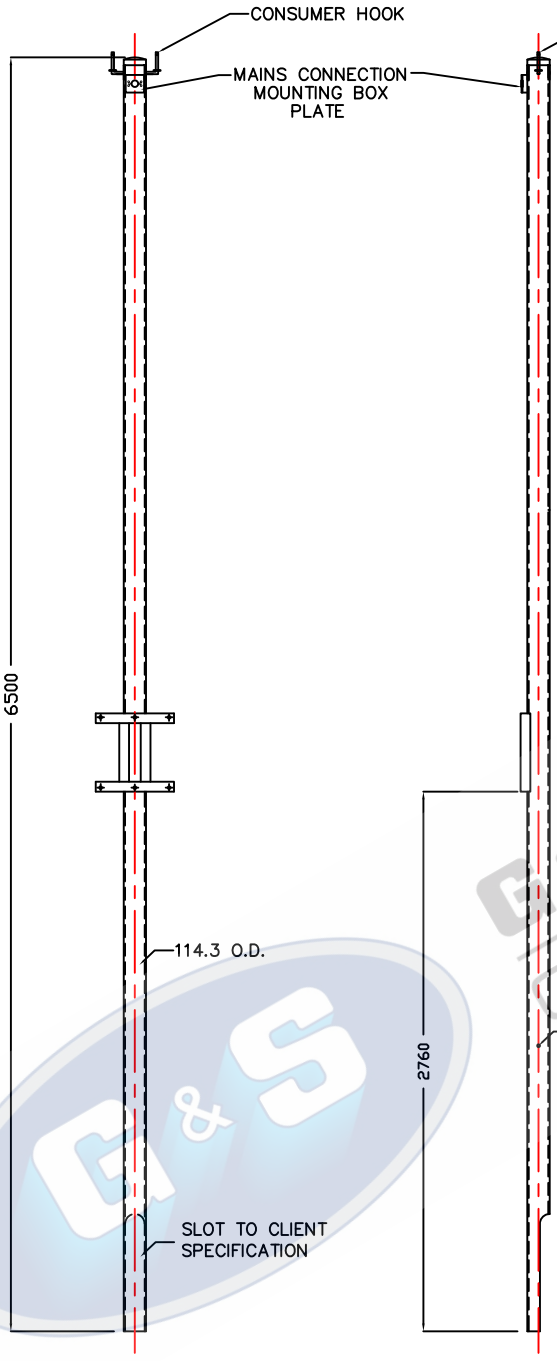
C

D

D

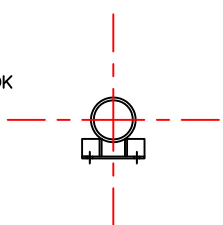
E

E

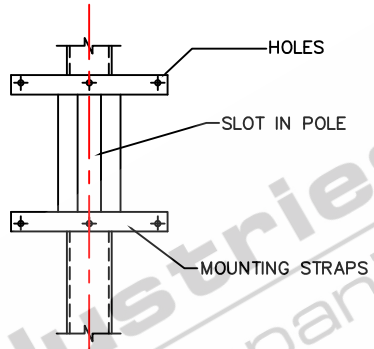


**FRONT VIEW**

**RIGHT VIEW**



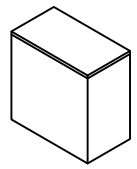
**PLAN VIEW**



**FRONT VIEW  
(DETAIL) OF TOP**



**RIGHT VIEW  
(DETAIL) OF TOP**



450 x 450 x 250mm  
METER BOX

- STANDARDS**  
 ALL PRODUCTS TO CONFORM TO THE FOLLOWING AUSTRALIAN STANDARDS  
 \* AS 1170.2: Structural design actions – Wind actions.  
 \* AS 1302: Geometrical product specifications indication of surface texture in technical production documentation.  
 \* AS 1554(set): Structural steel welding set.  
 \* AS 2159: Filing – Design & Installation.  
 \* AS 2870: Residential slab footings – Construction.  
 \* AS 3800: Concrete structures.  
 \* AS 3678: Structural steel – Hot rolled plates, floorplates and slabs.  
 \* AS 4680: Hot dip galvanized (Zinc) Coatings on fabricated ferrous articles.  
 \* AS/NZS 4671: Steel reinforcing materials.  
 \* AS/NZS 4600: Cold formed steel structures.  
 \* AS/NZS 4676: Structural design requirements for utility services poles.



97 GUTHRIE STREET, OSBORNE PARK W.A. 6017  
 PH (08) 9446 8044. (08) 9446 8266  
 FAX (08) 9446 5456

JOB NO. \_\_\_\_\_ DATE: \_\_\_\_\_  
**POWER CONNECTION COLUMN**  
**MC6.5BF114**  
**600011**

DESIGN:	Z.L.	DRAWN:	Z.L.
CHECKED:	R.G.	APPROVED:	Y
LAST REVISED:	30 MAY '09	SCALE:	NTS
DRAWING:	ZLRG2023	REVISION:	02

1

2

3

4