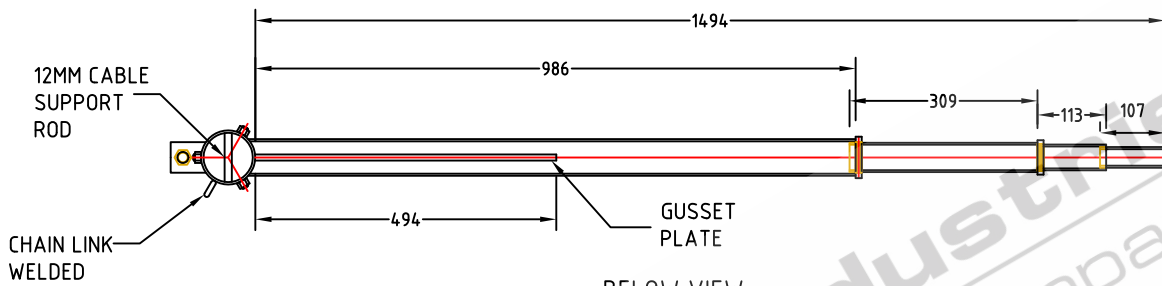
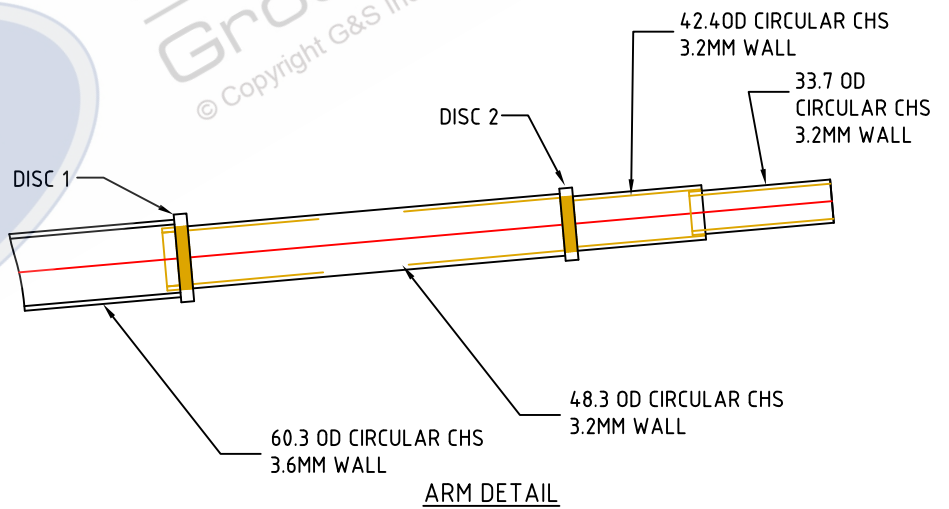


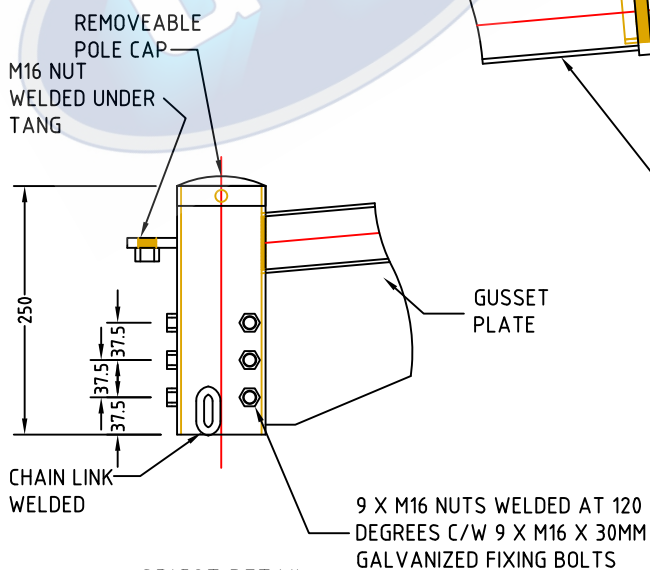
SIDE VIEW



BELOW VIEW



ARM DETAIL



SPIGOT DETAIL

PRODUCT WEIGHT: 19.8KG'S
 SAIL AREA: 0.13M2
 HOT DIPPED GALVANIZED

STANDARDS
 ALL PRODUCTS TO CONFORM TO THE FOLLOWING AUSTRALIAN STANDARDS
 * AS 1170.2: Structural design actions – fixed actions.
 * AS 1302: Geometrical product specifications Indication of surface texture in technical production documentation.
 * AS 1564(aust): Structural steel welding set.
 * AS 2159: Piling – Design & Installation.
 * AS 2287: Residential slide footings – Construction.
 * AS 3600: Concrete structures.
 * AS 3678: Structural steel – Hot rolled plates, floorplates and slabs.
 * AS 4680: Hot dip galvanized (Zinc) Coatings on fabricated ferrous articles.
 * AS/NZS 4671: Steel reinforcing materials.
 * AS/NZS 4600: Cold formed steel structures.
 * AS/NZS 4678: Structural design requirements for utility service poles.

G&S Industries
 97 GUTHRIE STREET, OSBORNE PARK W.A. 6017
 PH (08) 9446 8044, (08) 9446 8266
 FAX (08) 9446 5456

JOB NO. xx	DATE: 16/05/12	DESIGN: S.G.	DRAWN: R.G.
HFMULTIS1500 1500MM SINGLE STRAIGHT OUTREACH ARM – 890657A		CHECKED: B.M.	APPROVED: S.G.
		LAST REVISED: 16/05/12	SCALE: NTS SHEET: A3
		DRAWING: ZLRG2198C	REVISION: 01 SHEET: 1 OF 1