

1

2

3

4

A

A

B

B

C

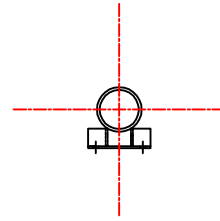
C

D

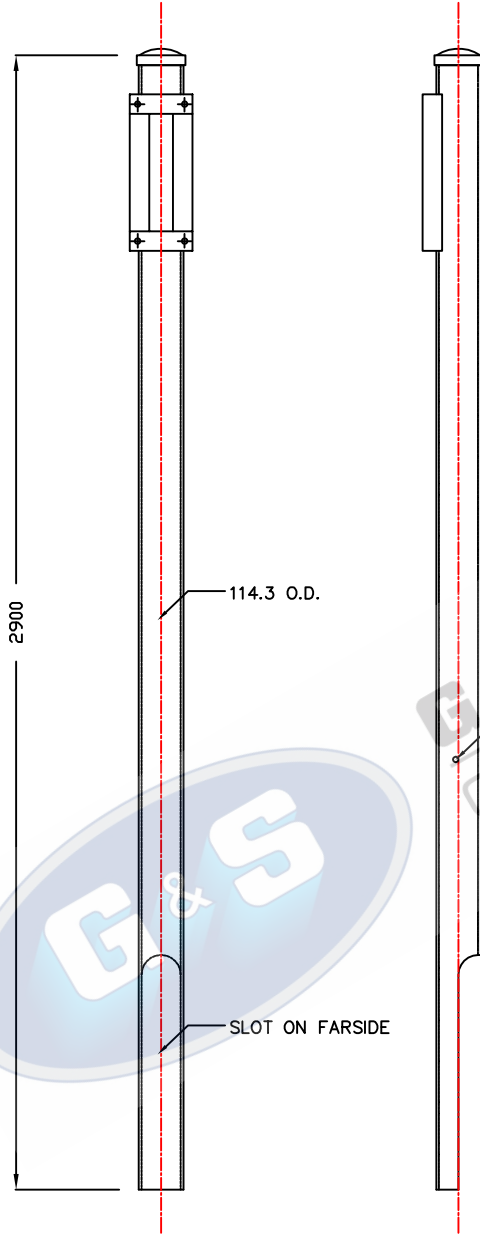
D

E

E

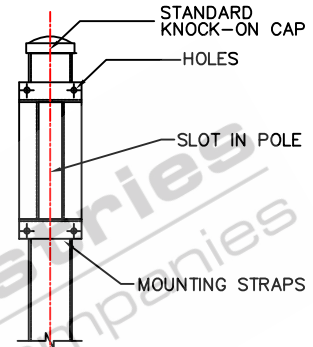


**PLAN VIEW**

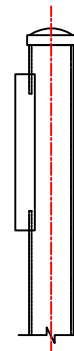


**FRONT VIEW**

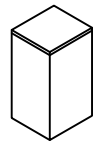
**RIGHT VIEW**



**FRONT VIEW  
(DETAIL) OF TOP**



**RIGHT VIEW  
(DETAIL) OF TOP**



450 x 225 x 250mm  
METER BOX

- STANDARDS**  
ALL PRODUCTS TO CONFORM TO THE FOLLOWING AUSTRALIAN STANDARDS
- \* AS 1170.2: Structural design actions - Wind actions.
  - \* AS 1302: Geometrical product specifications indication of surface texture in technical production documentation.
  - \* AS 1554(amt) Structural steel welding set.
  - \* AS 2159: Piling - Design & Installation.
  - \* AS 2870: Residential slab footings - Construction.
  - \* AS 3600: Concrete structures.
  - \* AS 3678: Structural steel - Hot rolled plates, floorplates and slabs.
  - \* AS 4680: Hot dip galvanized (Zinc) Coatings on fabricated ferrous articles.
  - \* AS/NZS 4671: Steel reinforcing materials.
  - \* AS/NZS 4680: Cold formed steel structures.
  - \* AS/NZS 4676: Structural design requirements for utility services poles.



G&S Industries

97 GUTHRIE STREET, OSBORNE PARK W.A. 6017  
PH (08) 9446 8044. (08) 9446 8266  
FAX (08) 9446 5456

JOB NO.

DATE:

DESIGN:

Z.L.

DRAWN:

Z.L.

POWER CONNECTION COLUMN  
HC2.9BH114  
600008

CHECKED:

R.G.

APPROVED:

Y

LAST REVISED:

4 SEPT '06

SCALE:

NTS

DRAWING:

ZLRG2020

REVISION:

01

1

2

3

4