

1

2

3

4

A

A

B

B

C

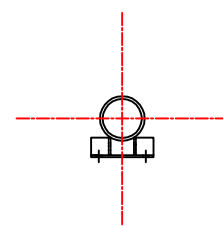
C

D

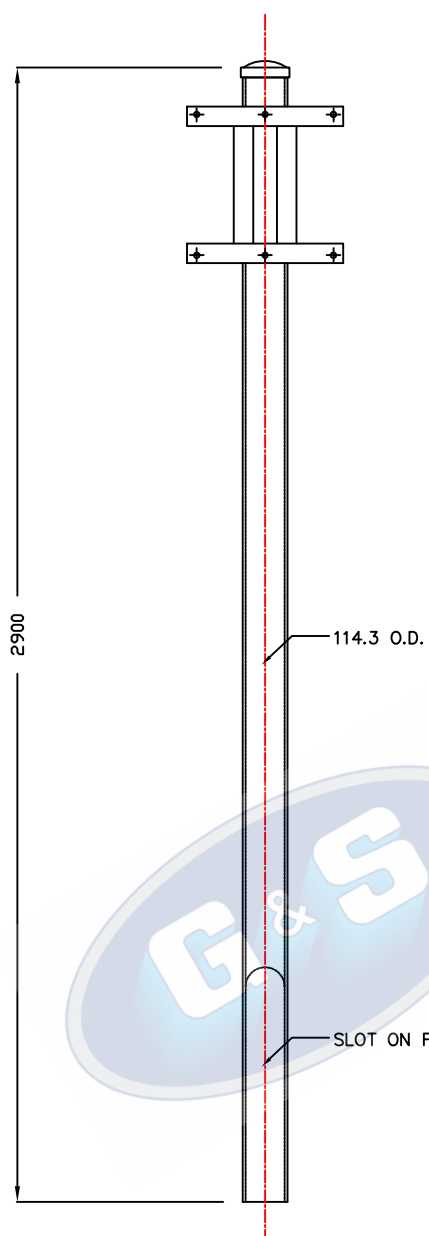
D

E

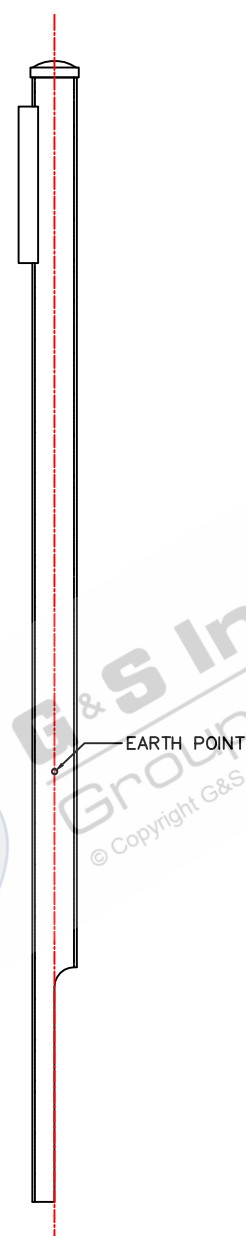
E



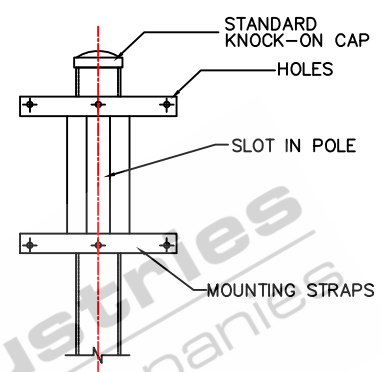
PLAN VIEW



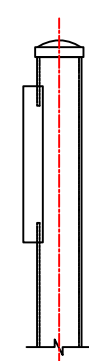
FRONT VIEW



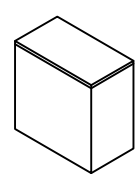
RIGHT VIEW



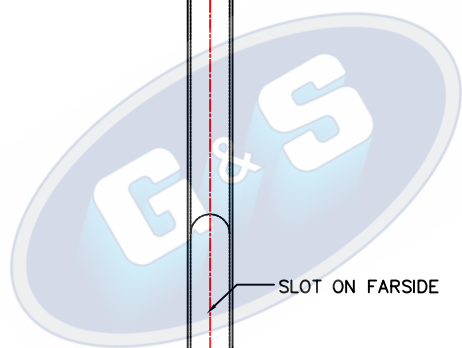
FRONT VIEW (DETAIL) OF TOP



RIGHT VIEW (DETAIL) OF TOP



450 x 450 x 250mm
METER BOX



G&S Industries
Group of Companies
© Copyright G&S Industries

- STANDARDS**
ALL PRODUCTS TO CONFORM TO THE FOLLOWING AUSTRALIAN STANDARDS
- * AS 1170.2: Structural design actions - Wind actions.
 - * AS 1302: Geometrical product specifications indication of surface texture in technical production documentation.
 - * AS 1554(est) Structural steel welding set.
 - * AS 2159: Piling - Design & Installation.
 - * AS 2870: Residential slab footings - Construction.
 - * AS 3600: Concrete structures.
 - * AS 3678: Structural steel - Hot rolled plates, floorplates and slabs.
 - * AS 4680: Hot dip galvanized (Zinc) Coatings on fabricated ferrous articles.
 - * AS/NZS 4671: Steel reinforcing materials.
 - * AS/NZS 4680: Cold formed steel structures.
 - * AS/NZS 4676: Structural design requirements for utility services poles.



G&S Industries

97 GUTHRIE STREET, OSBORNE PARK W.A. 6017
PH (08) 9446 8044. (08) 9446 8266
FAX (08) 9446 5456

JOB NO.	DATE:	DESIGN:	DRAWN:
POWER CONNECTION COLUMN HC2.9BF114 600009		Z.L.	Z.L.
		CHECKED:	APPROVED:
		R.G.	Y
		LAST REVISED:	SCALE:
		4 SEPT '06	NTS
		DRAWING:	REVISION:
		ZLRG2021	01

1

2

3

4