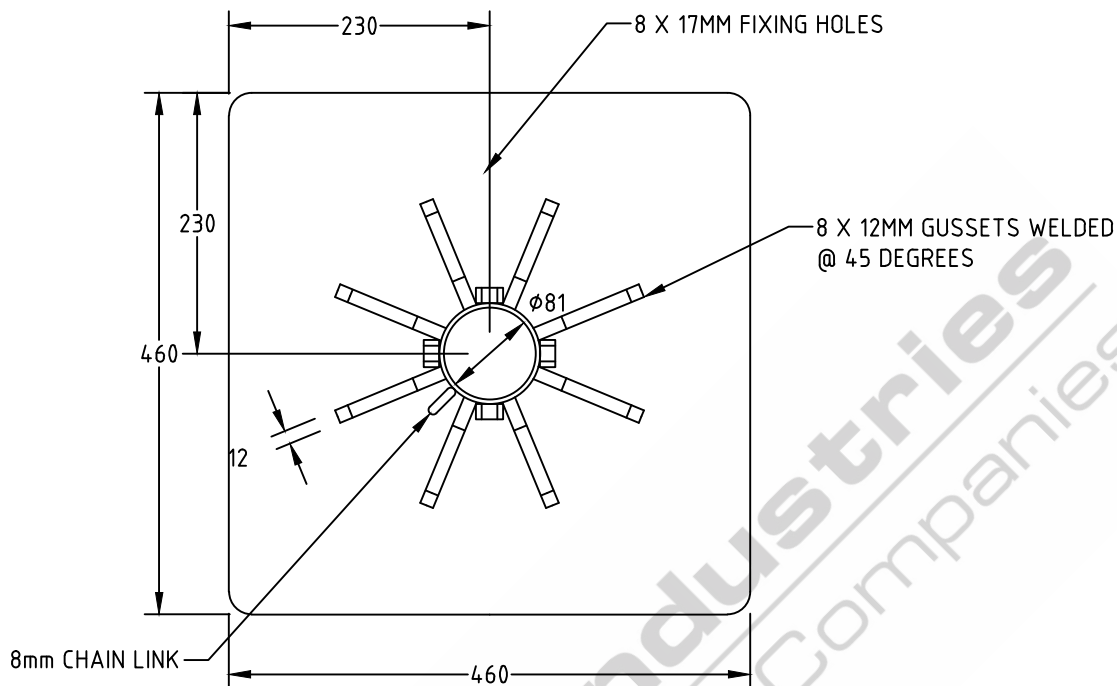


1 2 3 4

A

A



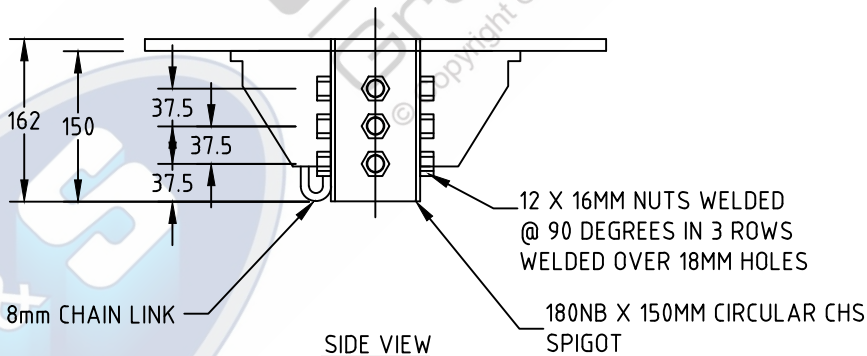
BELOW VIEW

B

B

C

C



SIDE VIEW

D

D

- STANDARDS**
 ALL PRODUCTS TO CONFORM TO THE FOLLOWING AUSTRALIAN STANDARDS
- * AS 1170.2: Structural design actions – Wind actions.
 - * AS 1302: Geometrical product specifications indication of surface texture in technical production documentation.
 - * AS 1554(set): Structural steel welding set.
 - * AS 2159: Piling – Design & Installation.
 - * AS 2870: Residential slab footings – Construction.
 - * AS 3600: Concrete structures.
 - * AS 3678: Structural steel – Hot rolled plates, floorplates and slabs.
 - * AS 4680: Hot dip galvanized (Zinc) Coatings on fabricated ferrous articles.
 - * AS/NZS 4671: Steel reinforcing materials.
 - * AS/NZS 4600: Cold formed steel structures.
 - * AS/NZS 4676: Structural design requirements for utility services poles.

EST PRODUCT WEIGHT: 27.6KG'S

E

E



G&S Industries

97 GUTHRIE STREET, OSBORNE PARK W.A. 6017
 PH (08) 9446 8044; (08) 9446 8266
 FAX (08) 9446 5456

JOB NO.	DATE: 17/10/12	DESIGN: R.M.G	DRAWN: R.M.G	
FL-ADAPT		CHECKED: S.G	APPROVED:	
FLANGE PLATE ADAPTOR		LAST REVISED: 29.08.13	SCALE: 1:120	SHEET: A4
		DRAWING: ZLRG2490	REVISION: 2	SHEET: 1 of 1

1 2 3 4