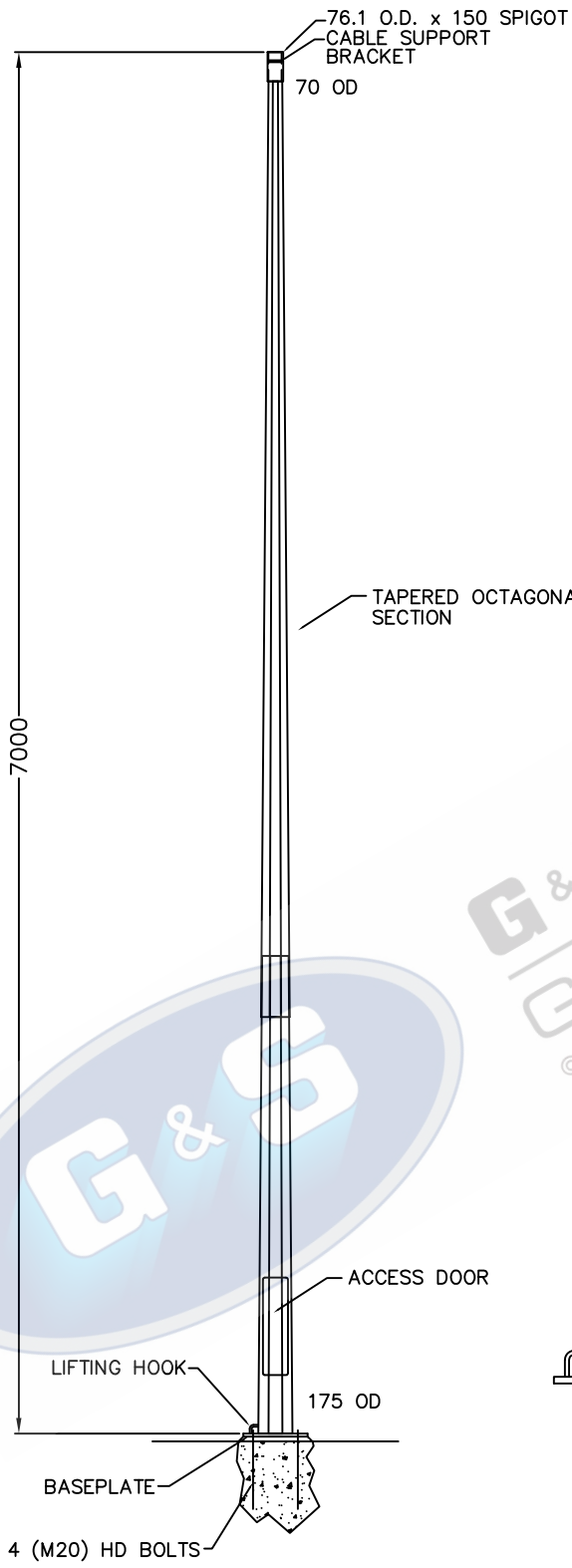


1 2 3 4

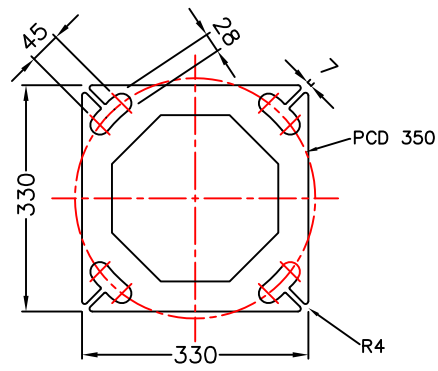
A

A



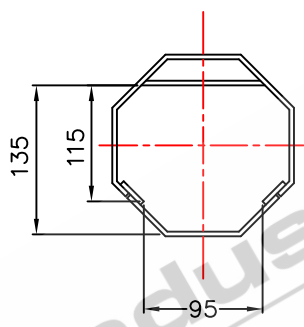
ELEVATION

TOTAL WEIGHT OF COLUMN: 101.00KG'S

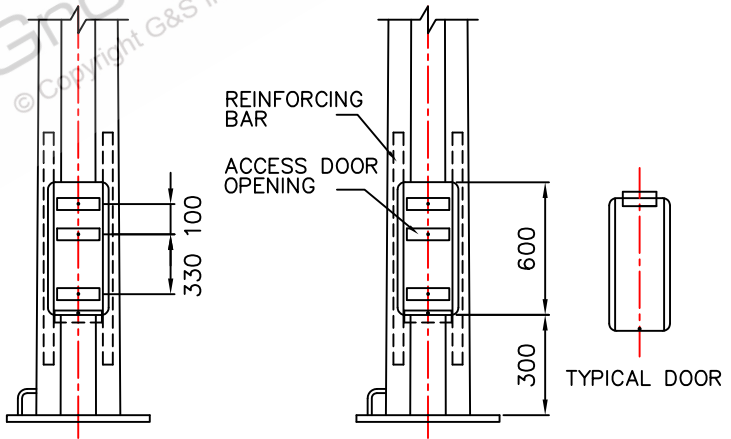


BASEPLATE THICKNESS: 20mm

BASEPLATE DETAILS



CONTROL GEAR CLEARANCE DETAILS



ELEVATION ON DOOR
DOOR REMOVED FOR CLARITY

- STANDARDS**
ALL PRODUCTS TO CONFORM TO THE FOLLOWING AUSTRALIAN STANDARDS
- * AS 1170.2: Structural design actions – Wind actions.
 - * AS 1302: Geometrical product specifications indication of surface texture in technical production documentation.
 - * AS 1554(sect) Structural steel welding set.
 - * AS 2159: Piling – Design & Installation.
 - * AS 2870: Residential slab footings – Construction.
 - * AS 3600: Concrete structures.
 - * AS 3678: Structural steel – Hot rolled plates, floorplates and slabs.
 - * AS 4680: Hot dip galvanized (Zinc) Coatings on fabricated ferrous articles.
 - * AS/NZS 4671: Steel reinforcing materials.
 - * AS/NZS 4600: Cold formed steel structures.
 - * AS/NZS 4676: Structural design requirements for utility services poles.

B

B

C

C

D

D

E

E



G&S Industries

97 GUTHRIE STREET, OSBORNE PARK W.A. 6017
PH (08) 9446 8044. (08) 9446 8266
FAX (08) 9446 5456

JOB NO. DATE:

7M FIXED TAPERED OCTAGONAL COLUMN
F7BM
610009

DESIGN: S.G.

DRAWN: Z.L.

CHECKED: R.G.

APPROVED: Y

LAST REVISED: 4 SEPT '06

SCALE: NTS

DRAWING: ZLRG2039

REVISION: 01

1 2 3 4