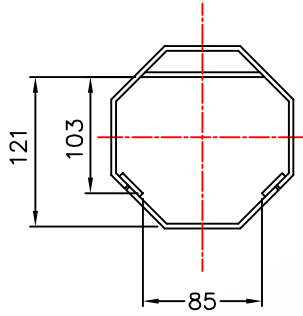
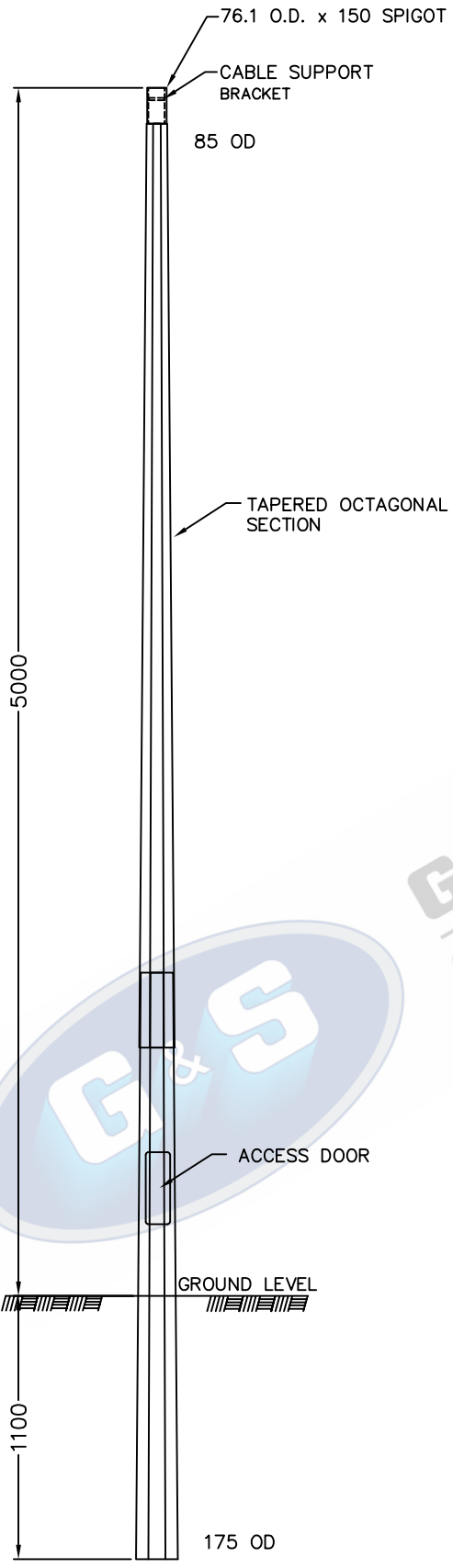


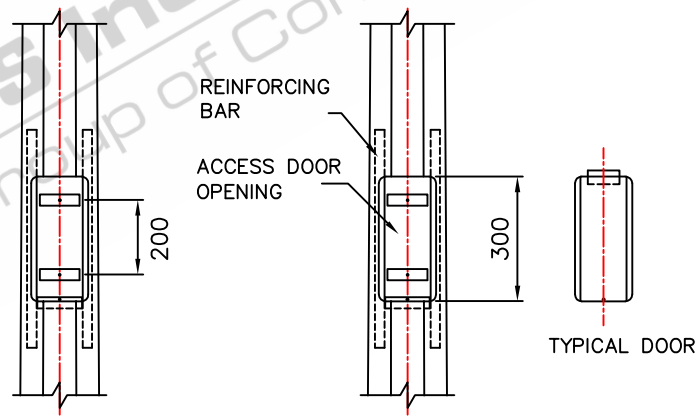
1 2 3 4

A

A



CONTROL GEAR CLEARANCE DETAILS



**ELEVATION ON DOOR
DOOR REMOVED FOR CLARITY**

ELEVATION
TOTAL COLUMN WEIGHT: 83.00KG's

- STANDARDS TO CONFORM TO THE FOLLOWING AUSTRALIAN STANDARDS**
- * AS 1170.2: Structural design actions – Wind actions.
 - * AS 1302: Geometrical product specifications indication of surface texture in technical production documentation.
 - * AS 1554(set) Structural steel welding set.
 - * AS 2159: Piling – Design & installation.
 - * AS 2870: Residential slab footings – Construction.
 - * AS 3600: Concrete structures.
 - * AS 3678: Structural steel – Hot rolled plates, floorplates and slabs.
 - * AS 4680: Hot dip galvanized (Zinc) Coatings on fabricated ferrous articles.
 - * AS/NZS 4671: Steel reinforcing materials.
 - * AS/NZS 4600: Cold formed steel structures.
 - * AS/NZS 4676: Structural design requirements for utility services poles.

D

D

E

E



97 GUTHRIE STREET, OSBORNE PARK W.A. 6017
PH (08) 9446 8044. (08) 9446 8266
FAX (08) 9446 5456

JOB NO.	DATE:	DESIGN:	DRAWN:
5M FIXED TAPERED OCTAGONAL COLUMN F5DM 610033		S.G.	Z.L.
		CHECKED:	APPROVED:
		R.G.	Y
		LAST REVISED:	SCALE:
		4 SEPT '06	NTS
		DRAWING:	REVISION:
		ZLRG2212	01

1 2 3 4