

1

2

3

4

A

A

B

B

C

C

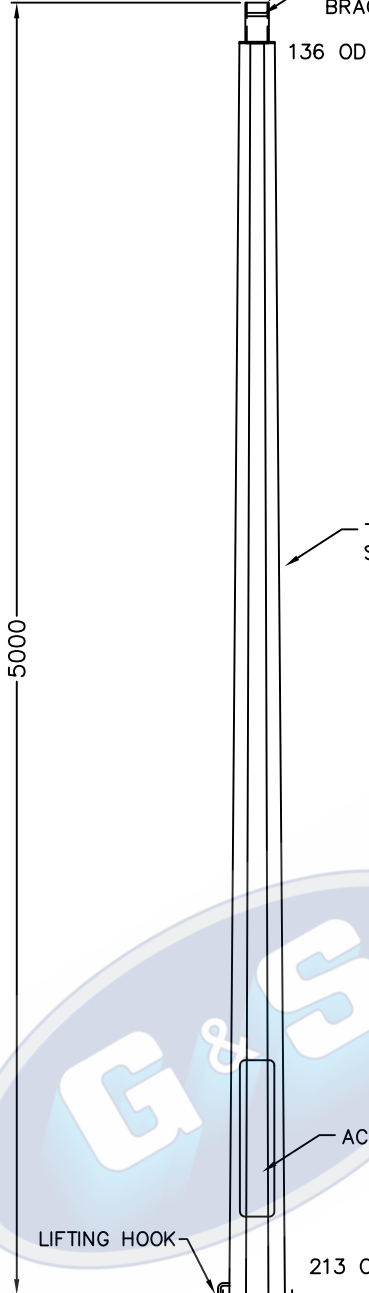
D

D

E

E

76.1 O.D. x 150 SPIGOT
 CABLE SUPPORT BRACKET
 136 OD



5000

TAPERED OCTAGONAL SECTION

ACCESS DOOR

LIFTING HOOK

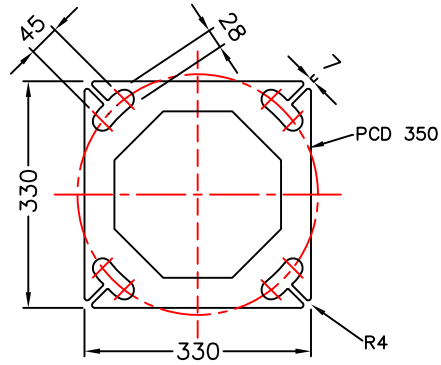
213 OD

BASEPLATE

4 (M20) HD BOLTS

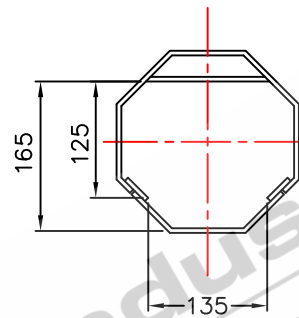
ELEVATION

TOTAL COLUMN WEIGHT: 91.00KG's

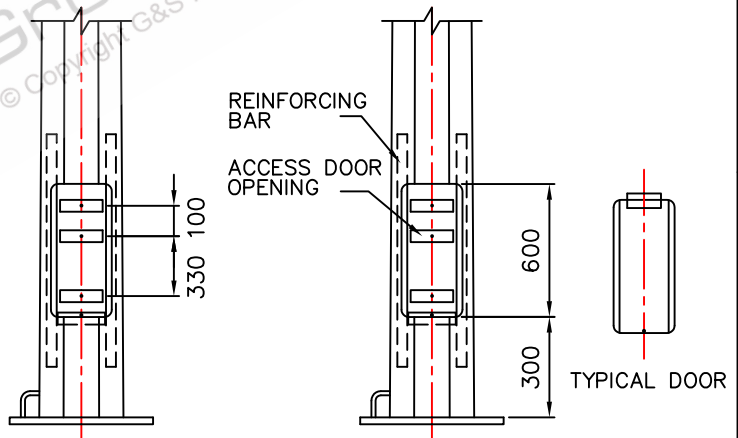


BASEPLATE THICKNESS: 20mm

BASEPLATE DETAILS



CONTROL GEAR CLEARANCE DETAILS



ELEVATION ON DOOR DOOR REMOVED FOR CLARITY

- STANDARDS**
 ALL PRODUCTS TO CONFORM TO THE FOLLOWING AUSTRALIAN STANDARDS
 * AS 1170.2: Structural design actions - Wind actions.
 * AS 1302: Geometrical product specifications indication of surface texture in technical production documentation.
 * AS 1554(set) Structural steel welding set.
 * AS 2159: Piling - Design & Installation.
 * AS 2870: Residential slab footings - Construction.
 * AS 3600: Concrete structures.
 * AS 3678: Structural steel - Hot rolled plates, floorplates and slabs.
 * AS 4680: Hot dip galvanized (Zinc) Coatings on fabricated ferrous articles.
 * AS/NZS 4671: Steel reinforcing materials.
 * AS/NZS 4600: Cold formed steel structures.
 * AS/NZS 4676: Structural design requirements for utility services poles.



G&S Industries

97 GUTHRIE STREET, OSBORNE PARK W.A. 6017
 PH (08) 9446 8044. (08) 9446 8266
 FAX (08) 9446 5456

JOB NO.

DATE:

DESIGN:

S.G.

DRAWN:

Z.L.

5M FIXED TAPERED OCTAGONAL COLUMN
 F5BH
 610006

CHECKED:

R.G.

APPROVED:

Y

LAST REVISED:

4 SEPT '06

SCALE:

NTS

DRAWING:

ZLRG2036

REVISION:

01

1

2

3

4