

1

2

3

4

A

A

B

B

C

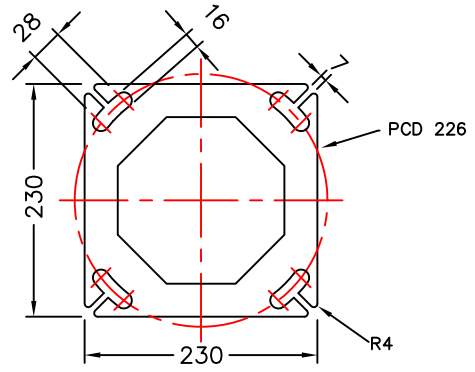
C

D

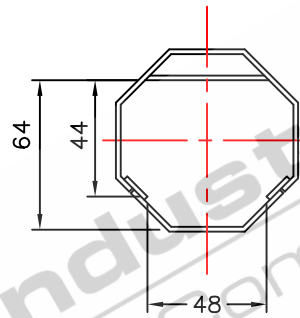
D

E

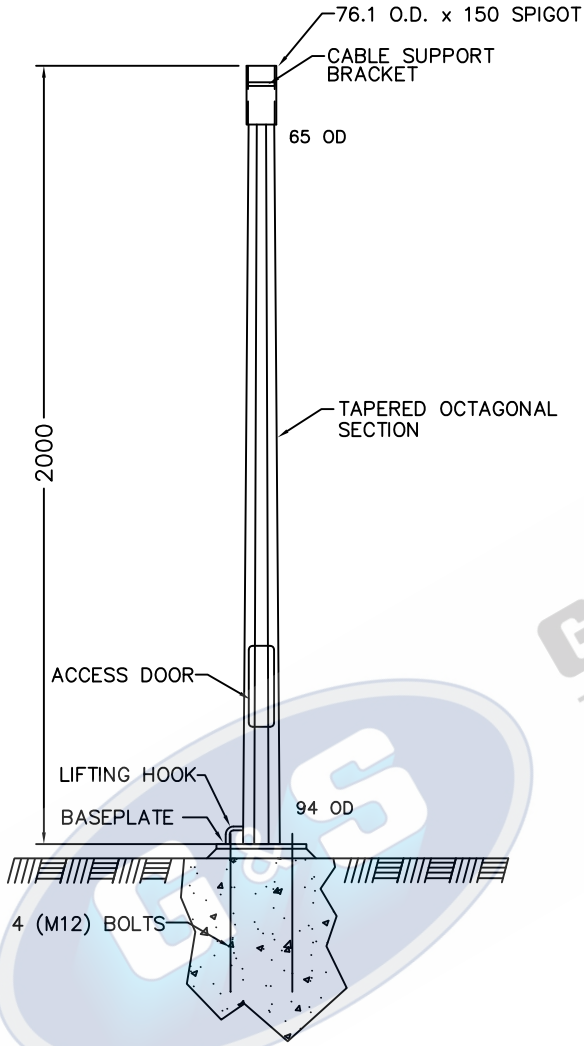
E



BASEPLATE THICKNESS: 12mm
BASEPLATE DETAILS

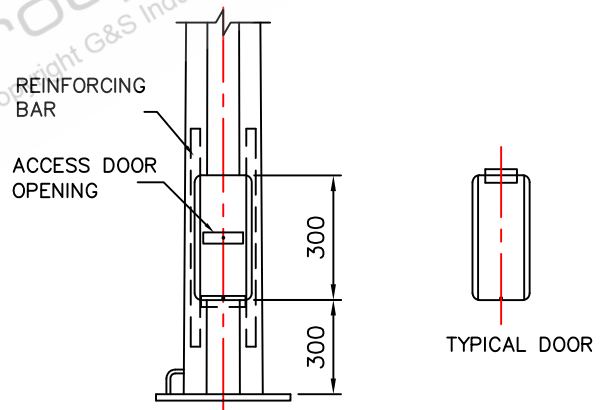


CONTROL GEAR CLEARANCE DETAILS



ELEVATION

TOTAL COLUMN WEIGHT: 21.00KG's



ELEVATION ON DOOR
DOOR REMOVED FOR CLARITY

STANDARDS

- ALL PRODUCTS TO CONFORM TO THE FOLLOWING AUSTRALIAN STANDARDS
- AS 1170.2: Structural design actions – Wind actions.
 - AS 1302: Geometrical product specifications indication of surface texture in technical production documentation.
 - AS 1554(set) Structural steel welding set.
 - AS 2159: Piling – Design & Installation.
 - AS 2870: Residential slab footings – Construction.
 - AS 3600: Concrete structures.
 - AS 3678: Structural steel – Hot rolled plates, floorplates and slabs.
 - AS 4680: Hot dip galvanized (Zinc) Coatings on fabricated ferrous articles.
 - AS/NZS 4671: Steel reinforcing materials.
 - AS/NZS 4600: Cold formed steel structures.
 - AS/NZS 4678: Structural design requirements for utility services poles.



G&S Industries

97 GUTHRIE STREET, OSBORNE PARK W.A. 6017
PH (08) 9446 8044. (08) 9446 8266
FAX (08) 9446 5456

JOB NO.

DATE:

DESIGN:

S.G.

DRAWN:

Z.L.

2M FIXED TAPERED OCTAGONAL COLUMN
F2BM
610002

CHECKED:

R.G.

APPROVED:

Y

LAST REVISED:

4 SEPT '06

SCALE:

NTS

DRAWING:

ZLRG2032

REVISION:

01

1

2

3

4