

1

2

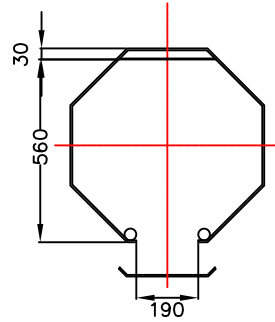
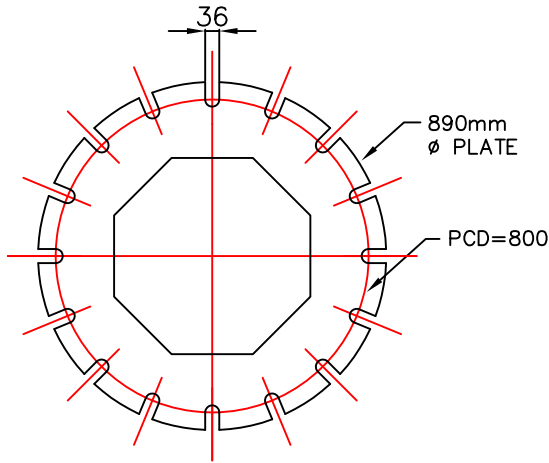
3

4

A

A

88.9 O.D. x 150 SPIGOT
CABLE SUPPORT
BRACKET
247 OD



**CONTROL GEAR
CLEARANCE DETAILS**

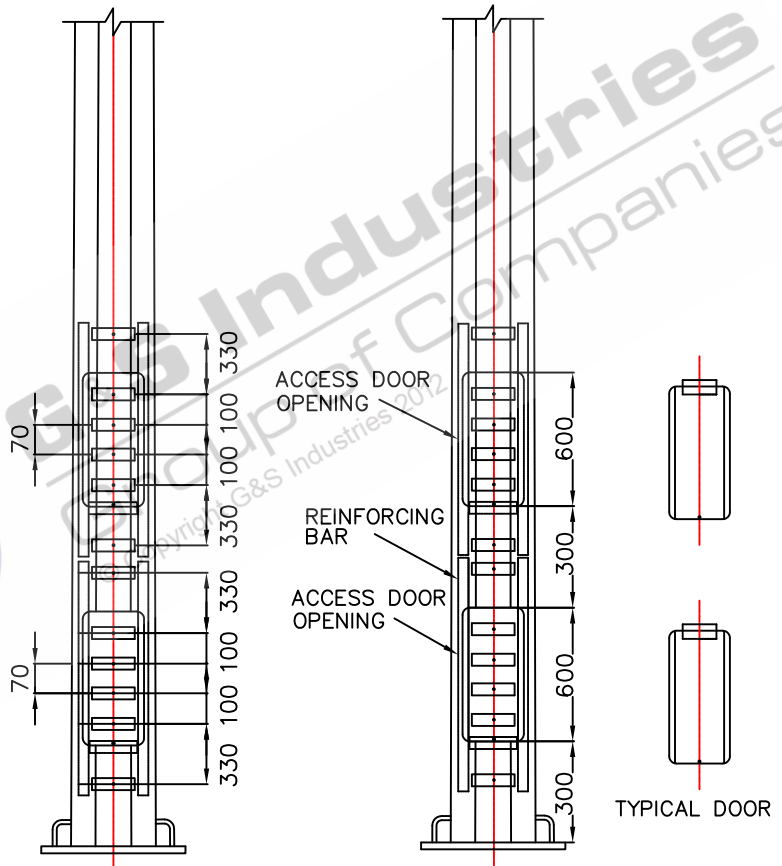
BASEPLATE THICKNESS: 40mm
BASEPLATE DETAILS

B

B

25000

TAPERED OCTAGONAL
SECTIONS



ELEVATION ON DOORS

4 SETS OF CONTROL GEAR STRAPS (2 SETS PER DOOR)
DOORS REMOVED FOR CLARITY

D

D

DOOR (FRONT)
DOOR (FRONT)
600 OD

LIFTING HOOK

BASEPLATE
16(M30 or M33) HD RAGBOLTS

ELEVATION

TOTAL WEIGHT OF COLUMN: 1936KG'S

STANDARDS

- ALL PRODUCTS TO CONFORM TO THE FOLLOWING AUSTRALIAN STANDARDS
- * AS 1170.2: Structural design actions – Wind actions.
- * AS 1302: Geometrical product specifications indication of surface texture in technical production documentation.
- * AS 1554(set): Structural steel welding set.
- * AS 2159: Piling – Design & Installation.
- * AS 2870: Residential slab footings – Construction.
- * AS 3600: Concrete structures.
- * AS 3678: Structural steel – Hot rolled plates, floorplates and slabs.
- * AS 4680: Hot dip galvanized (Zinc) Coatings on fabricated ferrous articles.
- * AS/NZS 4671: Steel reinforcing materials.
- * AS/NZS 4600: Cold formed steel structures.
- * AS/NZS 4676: Structural design requirements for utility services poles.

E

E



97 GUTHRIE STREET, OSBORNE PARK W.A. 6017
PH (08) 9446 8044. (08) 9446 8266
FAX (08) 9446 5456

JOB NO.

DATE:

DESIGN:

S.G.

DRAWN:

Z.L.

25M FIXED TAPERED OCTAGONAL COLUMN
F25BHH
610027E

CHECKED:

R.G.

APPROVED:

Y

LAST REVISED:

25 JAN '08

SCALE:

NTS

DRAWING:

ZLRG2057BCA

REVISION:

01

1

2

3

4