

1

2

3

4

A

A

B

B

C

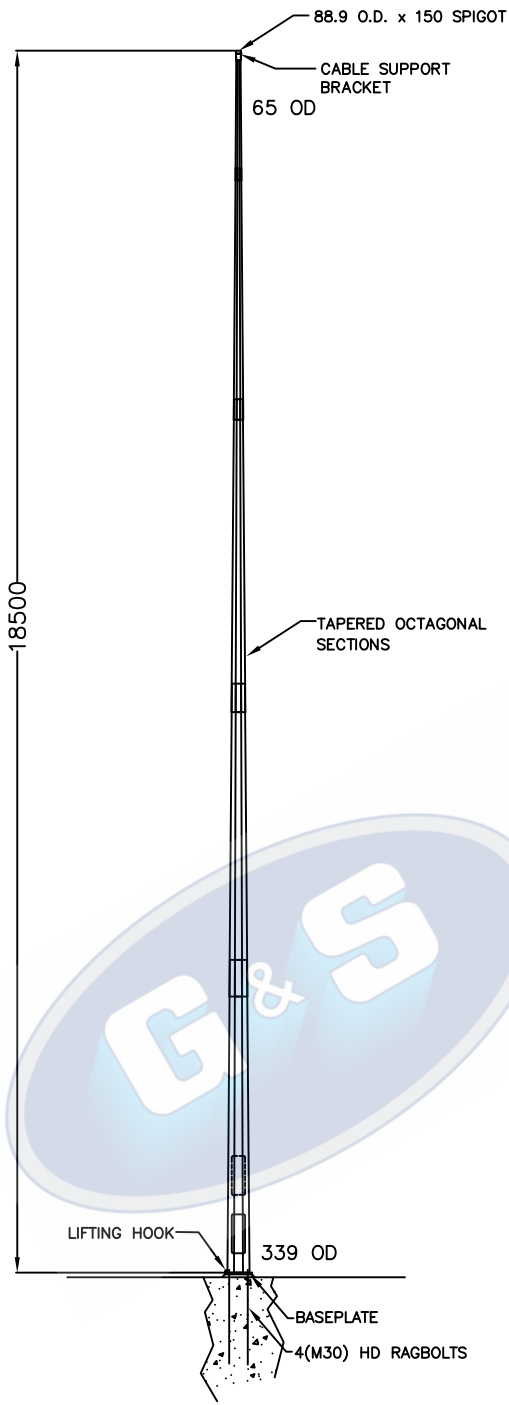
C

D

D

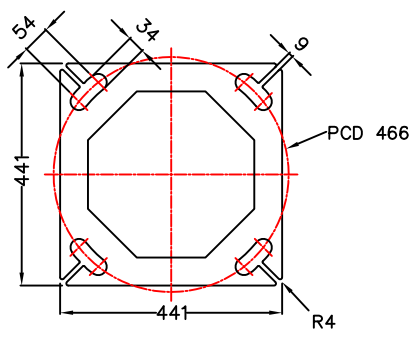
E

E

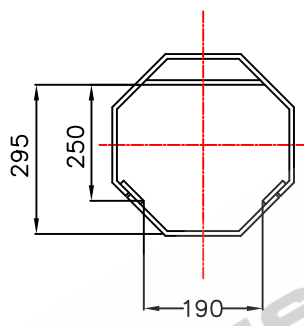


ELEVATION

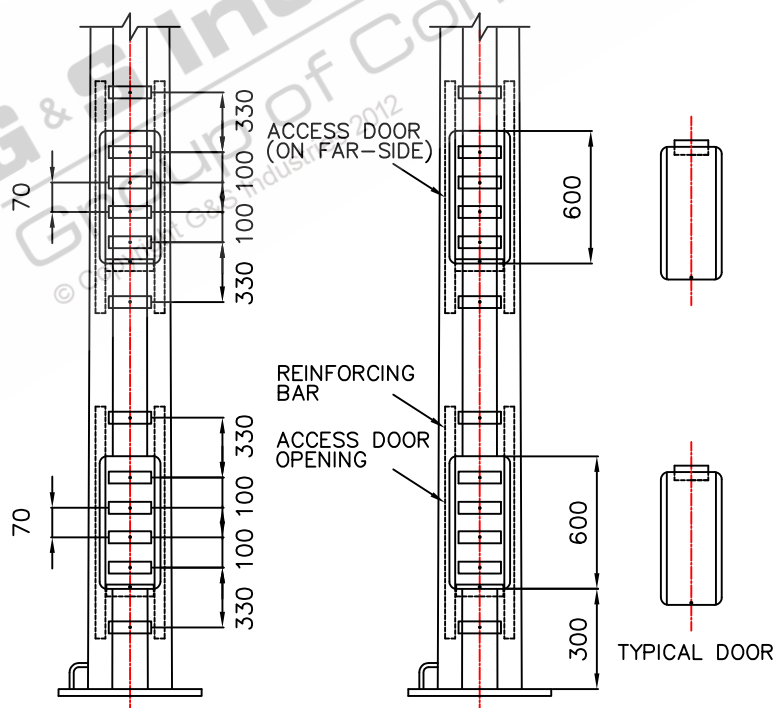
TOTAL WEIGHT OF COLUMN: 413.00KG'S



BASEPLATE THICKNESS: 25mm
BASEPLATE DETAILS



CONTROL GEAR CLEARANCE DETAILS



ELEVATION ON DOORS
DOORS REMOVED FOR CLARITY

- STANDARDS
ALL PRODUCTS TO CONFORM TO THE FOLLOWING AUSTRALIAN STANDARDS
- * AS 1170.2: Structural design actions – Wind actions.
 - * AS 1302: Geometrical product specifications indication of surface texture in technical production documentation.
 - * AS 1554(set): Structural steel welding set.
 - * AS 2159: Piling – Design & Installation.
 - * AS 2870: Residential slab footings – Construction.
 - * AS 3600: Concrete structures.
 - * AS 3678: Structural steel – Hot rolled plates, floorplates and slabs.
 - * AS 4680: Hot dip galvanized (Zinc) Coatings on fabricated ferrous articles.
 - * AS/NZS 4671: Steel reinforcing materials.
 - * AS/NZS 4600: Cold formed steel structures.
 - * AS/NZS 4676: Structural design requirements for utility services poles.



G&S Industries

97 GUTHRIE STREET, OSBORNE PARK W.A. 6017
PH (08) 9446 8044. (08) 9446 8266
FAX (08) 9446 5456

JOB NO.	DATE:
18.5M FIXED TAPERED OCTAGONAL COLUMN F18.5BM 610024	

DESIGN:	S.G.	DRAWN:	Z.L.
CHECKED:	R.G.	APPROVED:	Y
LAST REVISED:	4 SEPT '06	SCALE:	NTS
DRAWING:	ZLRG2054	REVISION:	01

1

2

3

4