

1

2

3

4

A

A

B

B

C

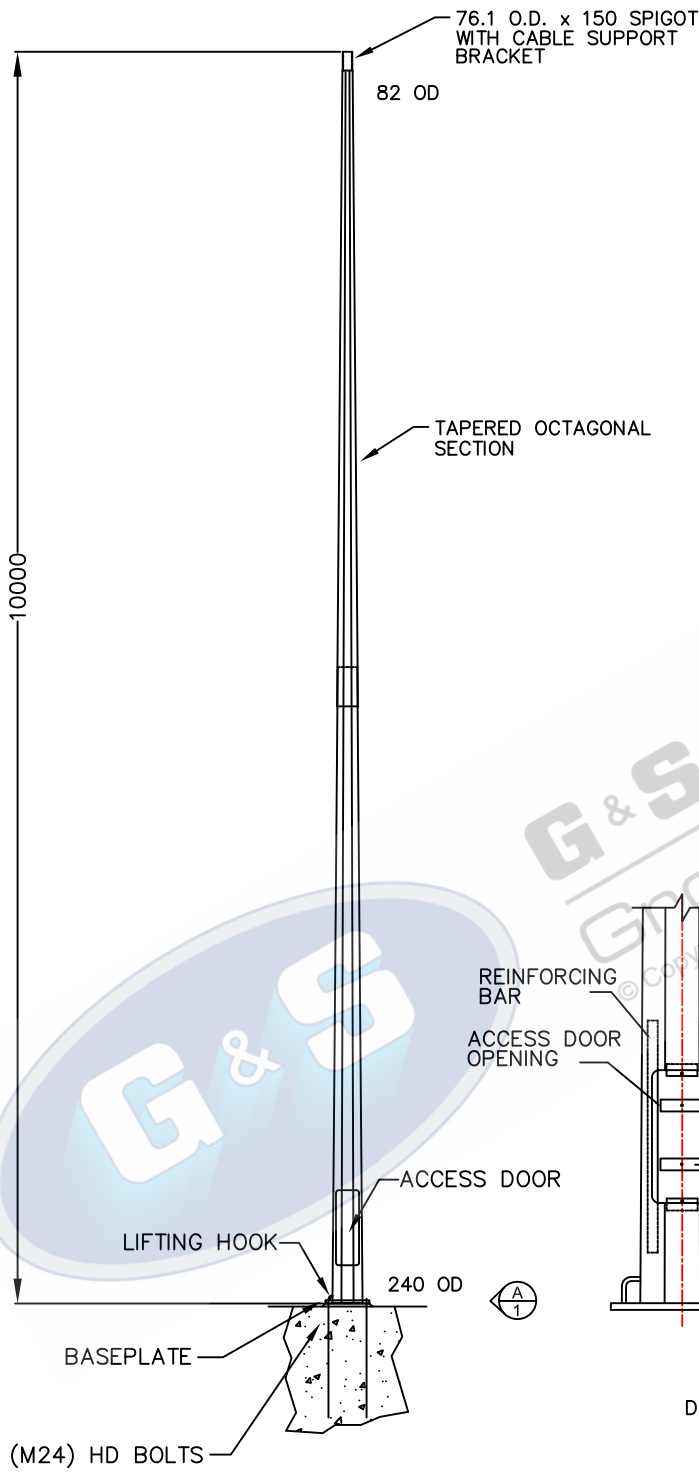
C

D

D

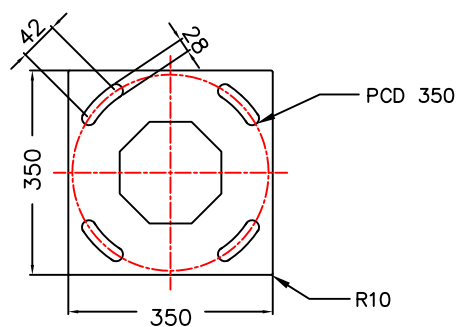
E

E

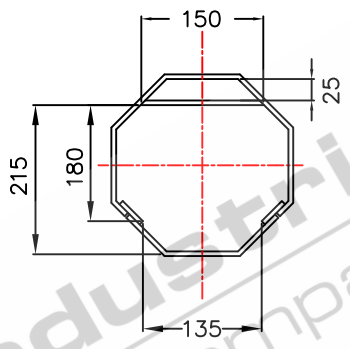


ELEVATION

EST COLUMN WEIGHT 198KG'S

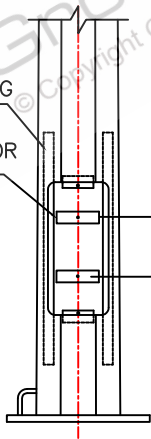


BASEPLATE THICKNESS: 25mm
BASEPLATE DETAILS



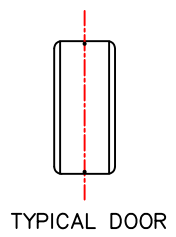
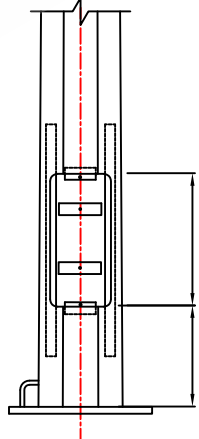
FUSE STRAP CLEARANCE DETAILS

REINFORCING BAR
ACCESS DOOR OPENING



330

ACCESS DOOR



TYPICAL DOOR

ELEVATION ON DOOR
DOOR REMOVED FOR CLARITY

- STANDARDS**
ALL PRODUCTS TO CONFORM TO THE FOLLOWING AUSTRALIAN STANDARDS
- AS 1170.2: Structural design actions – Wind actions.
 - AS 1302: Geometrical product specifications indication of surface texture in technical production documentation.
 - AS 1554(set): Structural steel welding set.
 - AS 2159: Piling – Design & Installation.
 - AS 2870: Residential slab footings – Construction.
 - AS 3600: Concrete structures.
 - AS 3678: Structural steel – Hot rolled plates, floorplates and slabs.
 - AS 4680: Hot dip galvanized (Zinc) Coatings on fabricated ferrous articles.
 - AS/NZS 4671: Steel reinforcing materials.
 - AS/NZS 4600: Cold formed steel structures.
 - AS/NZS 4676: Structural design requirements for utility services poles.



G&S Industries

97 GUTHRIE STREET, OSBORNE PARK W.A. 6017
PH (08) 9446 8044. (08) 9446 8266
FAX (08) 9446 5456

JOB NO. DATE:

10M FIXED TAPERED OCTAGONAL COLUMN
F10BM

DESIGN: S.G.

DRAWN: Z.L.

CHECKED: R.G.

APPROVED: Y

LAST REVISED: 05 JUN '10

SCALE: NTS

DRAWING: ZLRG2043CA1

REVISION: 04

1

2

3

4