

1

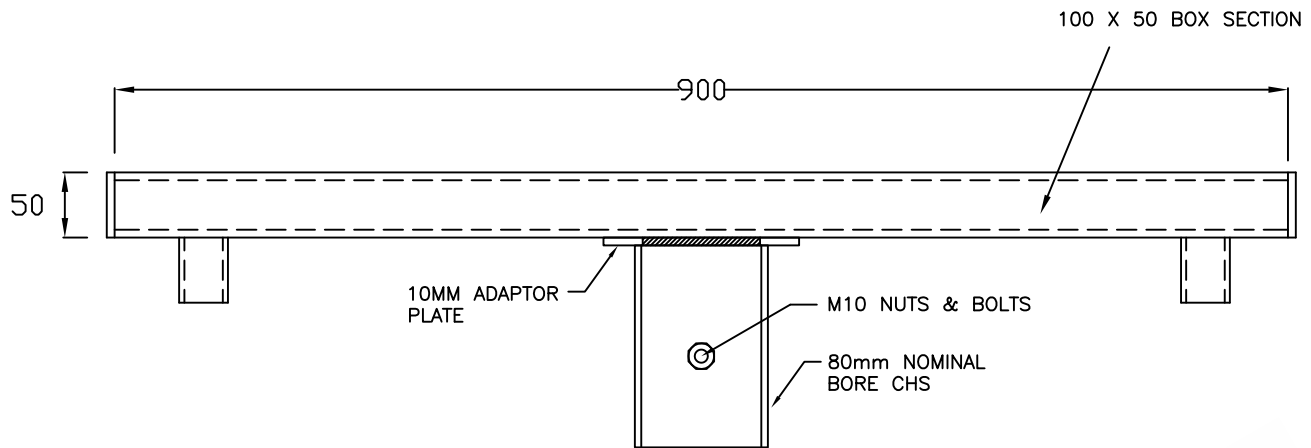
2

3

4

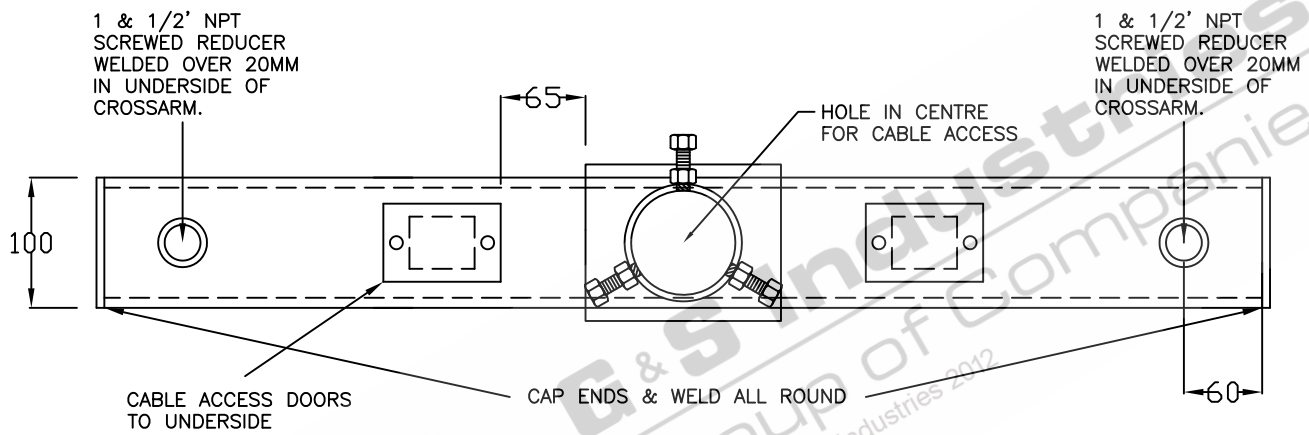
A

A



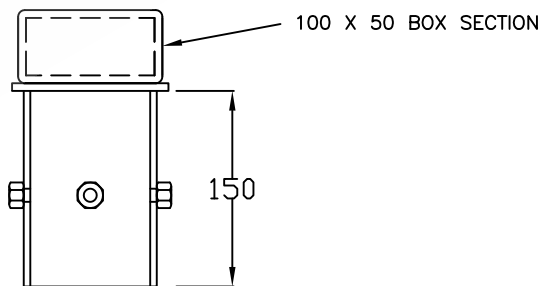
B

B



C

C



D

D

TOTAL WEIGHT: 12KG's
SAIL: 0.05m2

STANDARDS

ALL PRODUCTS TO CONFORM TO THE FOLLOWING AUSTRALIAN STANDARDS

- AS 1170.2: Structural design actions - Wind actions.
- AS 1302: Geometrical product specifications indication of surface texture in technical production documentation.
- AS 1554(set): Structural steel welding set.
- AS 2159: Piling - Design & Installation.
- AS 2870: Residential slab footings - Construction.
- AS 3600: Concrete structures.
- AS 3678: Structural steel - Hot rolled plates, floorplates and slabs.
- AS 4680: Hot dip galvanized (Zinc) Coatings on fabricated ferrous articles.
- AS/NZS 4671: Steel reinforcing materials.
- AS/NZS 4600: Cold formed steel structures.
- AS/NZS 4676: Structural design requirements for utility services poles.

E

E



G&S Industries

97 GUTHRIE STREET, OSBORNE PARK W.A. 6017
PH (08) 9446 8044. (08) 9446 8266
FAX (08) 9446 5456

JOB NO.

DATE:

DESIGN:

Z.L.

DRAWN:

Z.L.

900mm CROSSARM - CAMERA ARM
FOR MOUNTING DUAL DOME CAMERAS
CM08
710028

CHECKED:

R.G.

APPROVED:

Y

LAST REVISED:

28 FEB '08

SCALE:

NTS

DRAWING:

ZLRG2158A

REVISION:

01

1

2

3

4