

1

2

3

4

A

A

B

B

C

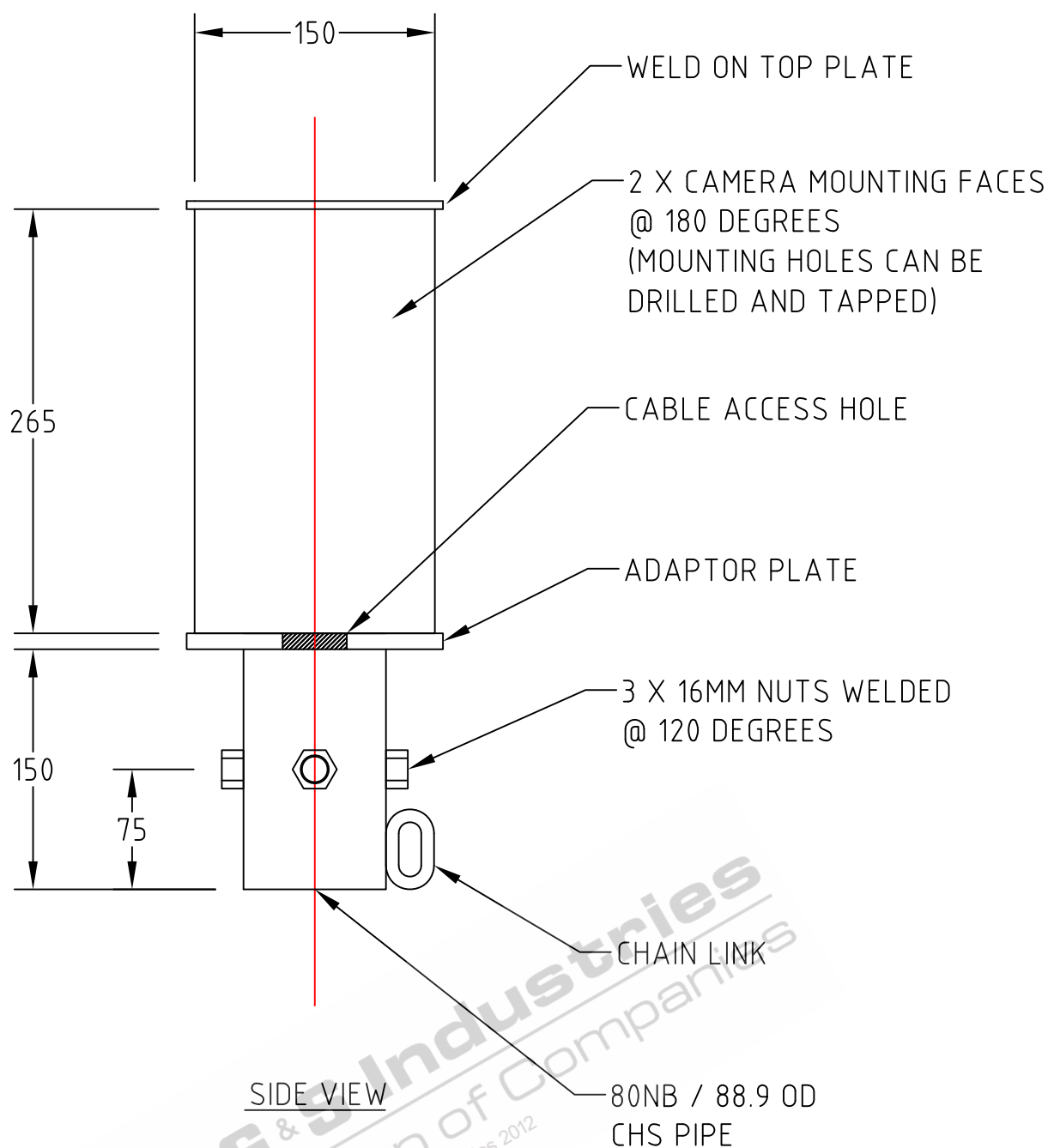
C

D

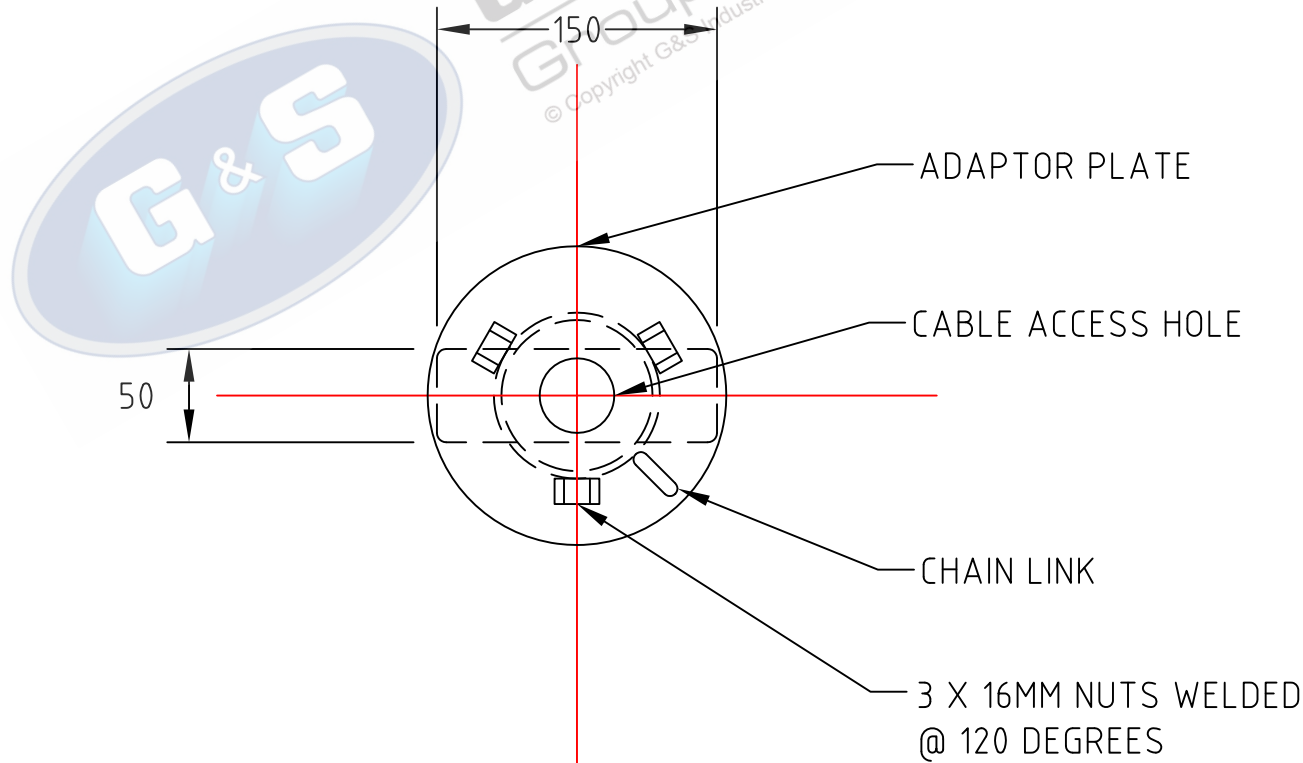
D

E

E



SIDE VIEW



BELOW VIEW

- STANDARDS**  
 ALL PRODUCTS TO CONFORM TO THE FOLLOWING AUSTRALIAN STANDARDS  
 \* AS 1170.2: Structural design actions – Wind actions.  
 \* AS 1302: Geometrical product specifications indication of surface texture in technical production documentation.  
 \* AS 1554(set) Structural steel welding set.  
 \* AS 2159: Piling – Design & Installation.  
 \* AS 2870: Residential slab footings – Construction.  
 \* AS 3600: Concrete structures.  
 \* AS 3678: Structural steel – Hot rolled plates, floorplates and slabs.  
 \* AS 4680: Hot dip galvanized (Zinc) Coatings on fabricated ferrous articles.  
 \* AS/NZS 4671: Steel reinforcing materials.  
 \* AS/NZS 4600: Cold formed steel structures.  
 \* AS/NZS 4676: Structural design requirements for utility services poles.

EST PRODUCT WEIGHT: 5.8KG'S  
EST SAIL AREA: 0.007m2



97 GUTHRIE STREET, OSBORNE PARK W.A. 6017  
PH (08) 9446 8044. (08) 9446 8266  
FAX (08) 9446 5456

JOB NO.	DATE: 31/08/10	DESIGN: R.M.G	DRAWN: R.M.G	
CM07 2 – WAY CAMERA DOME SPIGOT 710027	CHECKED: S.G	APPROVED:		
	LAST REVISED: 31/08/11	SCALE: 1:120	SHEET: A4	
	DRAWING: ZLRG2156	REVISION: A	SHEET: 1 of 1	

1

2

3

4