

1

2

3

4

A

A

B

B

C

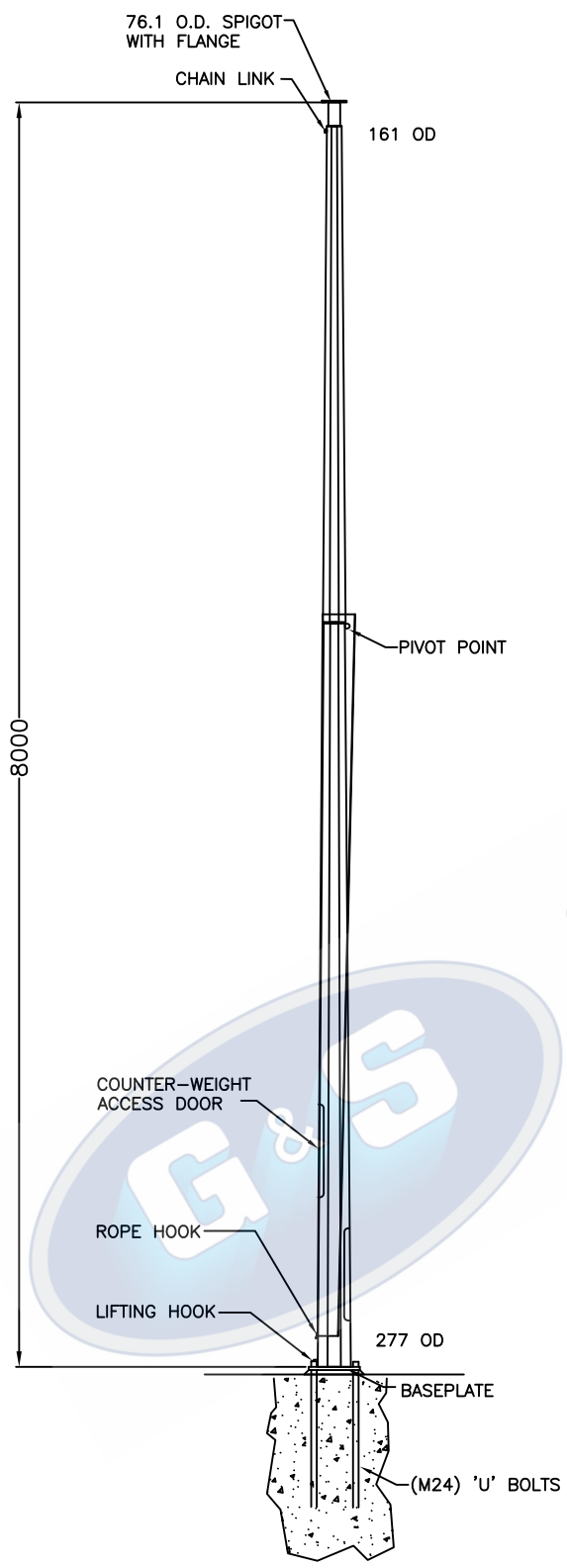
C

D

D

E

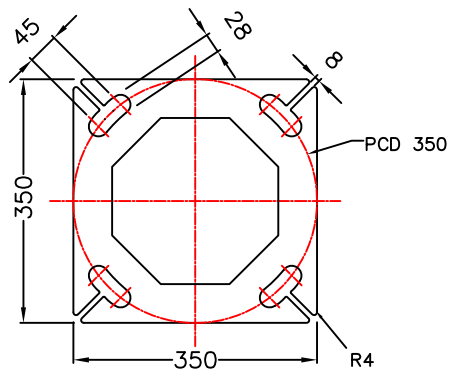
E



ELEVATION

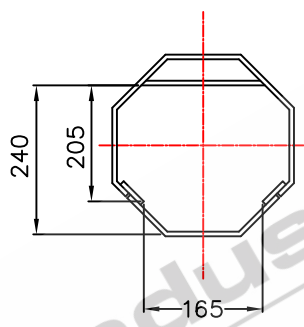
TOTAL WEIGHT OF COLUMN: 251 KG'S

RIGID DESIGN FOR CCTV CAMERA OPERATION WITH MINIMAL DEFLECTION RATING.

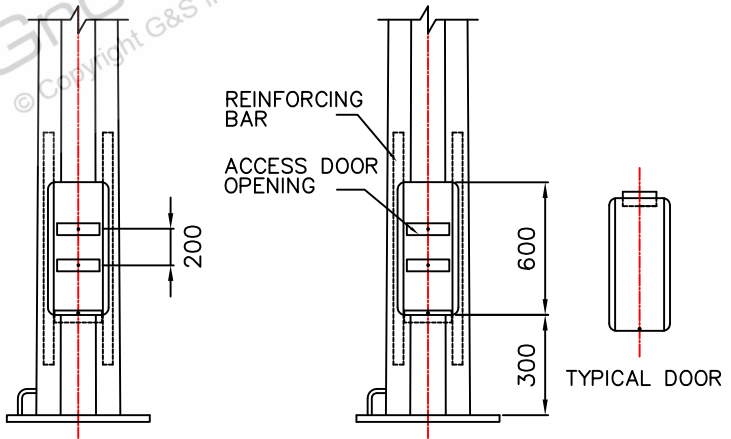


BASEPLATE THICKNESS: 25mm

BASEPLATE DETAILS



CONTROL GEAR CLEARANCE DETAILS



ELEVATION ON DOOR
DOOR REMOVED FOR CLARITY

- STANDARDS TO CONFORM TO THE FOLLOWING AUSTRALIAN STANDARDS**
- AS 1170.2: Structural design actions - Wind actions.
 - AS 1302: Geometrical product specifications indication of surface texture in technical production documentation.
 - AS 1554(amt): Structural steel welding set.
 - AS 2159: Piling - Design & Installation.
 - AS 2870: Residential slab footings - Construction.
 - AS 3600: Concrete structures.
 - AS 3678: Structural steel - Hot rolled plates, floorplates and slabs.
 - AS 4680: Hot dip galvanized (Zinc) Coatings on fabricated ferrous articles.
 - AS/NZS 4671: Steel reinforcing materials.
 - AS/NZS 4680: Cold formed steel structures.
 - AS/NZS 4678: Structural design requirements for utility services poles.



97 GUTHRIE STREET, OSBORNE PARK W.A. 6017
PH (08) 9446 8044. (08) 9446 8266
FAX (08) 9446 5456

JOB NO.	DATE:	DESIGN:	DRAWN:
8M MID-HINGED TAPERED OCTAGONAL COLUMN CCTV8BMHM 710010		S.G.	Z.L.
		CHECKED:	APPROVED:
		R.G.	Y
		LAST REVISED:	SCALE:
		4 SEPT '06	NTS
		DRAWING:	REVISION:
		ZLRG2143	01

1

2

3

4