

1

2

3

4

A

A

B

B

C

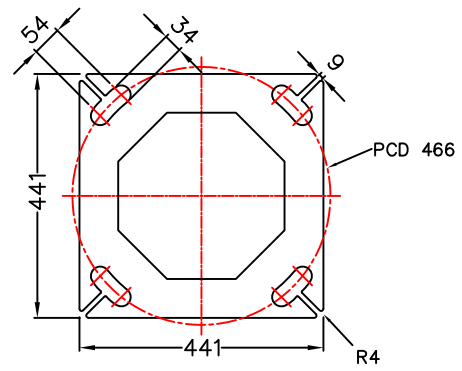
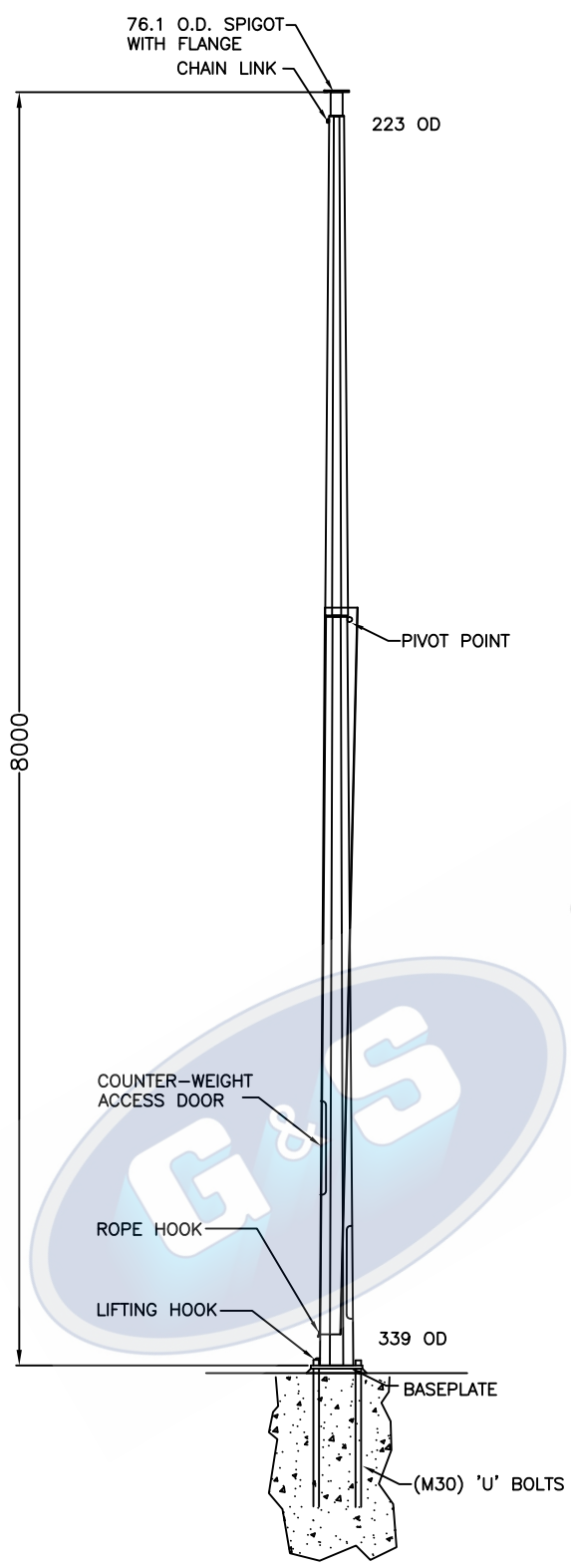
C

D

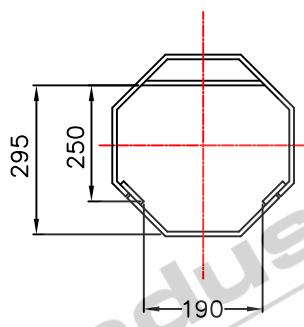
D

E

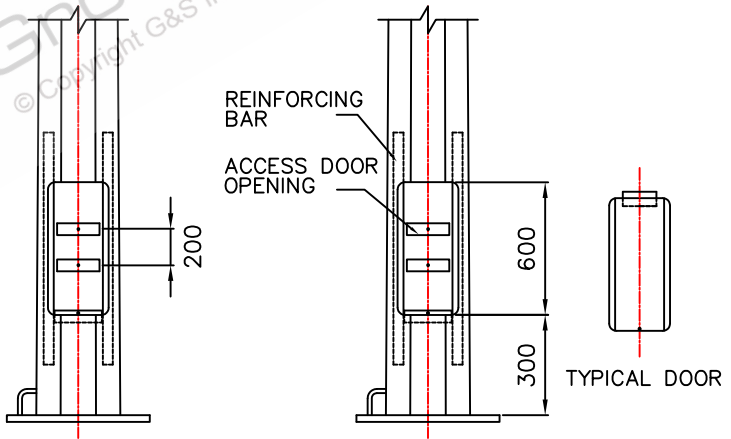
E



BASEPLATE THICKNESS: 25mm
BASEPLATE DETAILS



CONTROL GEAR CLEARANCE DETAILS



ELEVATION ON DOOR
DOOR REMOVED FOR CLARITY

- STANDARDS TO CONFORM TO THE FOLLOWING AUSTRALIAN STANDARDS**
- AS 1170.2: Structural design actions - Wind actions.
 - AS 1302: Geometrical product specifications indication of surface texture in technical production documentation.
 - AS 1554(amt): Structural steel welding.
 - AS 2159: Piling - Design & Installation.
 - AS 2870: Residential slab footings - Construction.
 - AS 3600: Concrete structures.
 - AS 3678: Structural steel - Hot rolled plates, floorplates and slabs.
 - AS 4680: Hot dip galvanized (Zinc) Coatings on fabricated ferrous articles.
 - AS/NZS 4671: Steel reinforcing materials.
 - AS/NZS 4680: Cold formed steel structures.
 - AS/NZS 4678: Structural design requirements for utility services poles.

RIGID DESIGN FOR CCTV CAMERA OPERATION WITH MINIMAL DEFLECTION RATING.



97 GUTHRIE STREET, OSBORNE PARK W.A. 6017
PH (08) 9446 8044. (08) 9446 8266
FAX (08) 9446 5456

JOB NO.	DATE:	DESIGN:	DRAWN:
8M MID-HINGED TAPERED OCTAGONAL COLUMN CCTV8BMHH 710011		S.G.	Z.L.
		CHECKED:	APPROVED:
		R.G.	Y
		LAST REVISED:	SCALE:
		4 SEPT '06	NTS
		DRAWING:	REVISION:
		ZLRG2144	01

1

2

3

4