

1 2 3 4

A

A

B

B

C

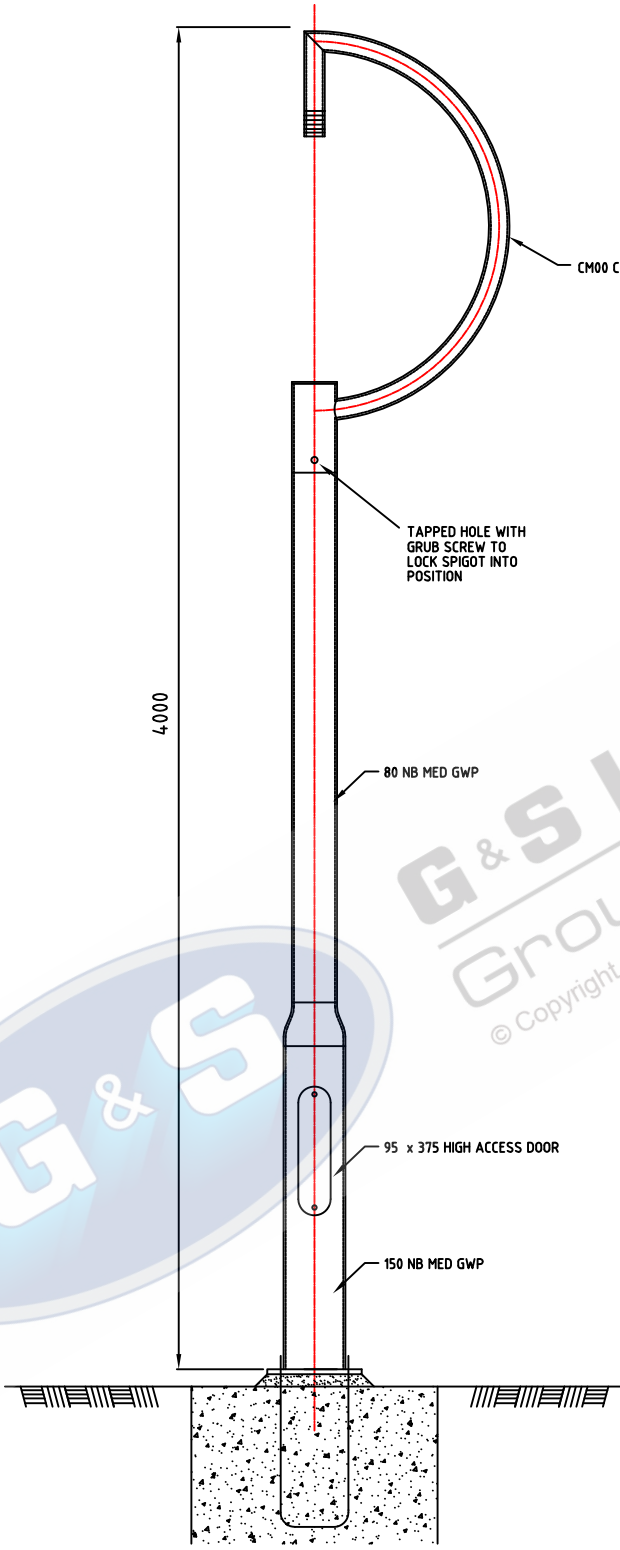
C

D

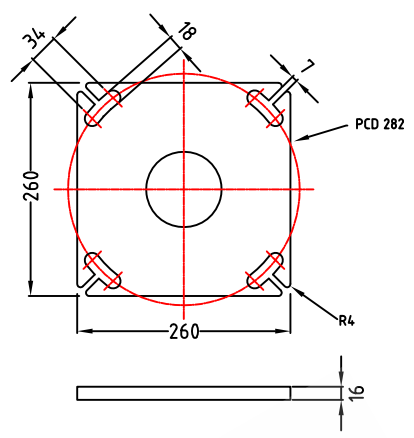
D

E

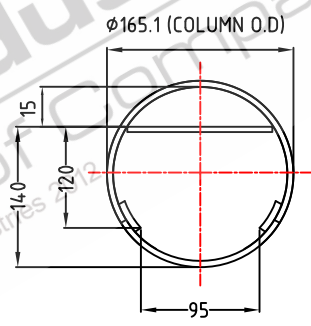
E



**ELEVATION**  
TOTAL WEIGHT: 58 KG's



**BASEPLATE DETAILS**



**DOOR CLEARANCES**

- STANDARDS**  
ALL PRODUCTS TO CONFORM TO THE FOLLOWING AUSTRALIAN STANDARDS
- × AS 1170.2: Structural design actions - Wind actions.
  - × AS 1902: Geometrical product specifications indication of surface texture in technical production documentation.
  - × AS 1554(sect) Structural steel welding set.
  - × AS 2159: Piling - Design & Installation.
  - × AS 2870: Residential slab footings - Construction.
  - × AS 3600: Concrete structures.
  - × AS 3678: Structural steel - Hot rolled plates, floorplates and slabs.
  - × AS 4680: Hot dip galvanized (Zinc) Coatings on fabricated ferrous articles.
  - × AS/NZS 4671: Steel reinforcing materials.
  - × AS/NZS 4600: Cold formed steel structures.
  - × AS/NZS 4676: Structural design requirements for utility services poles.



97 GUTHRIE STREET OSBORNE PARK W.A. 6017  
PH. (08) 9446 8044, (08) 9446 8266  
FAX (08) 9446 5456

JOB No	DATE	DESIGN#	SG	DRAW#	ZL
CAMERA COLUMN C/W HALF MOON ARM GENERAL ARRANGEMENT CCTV4BFDM 710007		CHECKED#	RG	APPROVED	Y
		LAST REVISED:	4 SEPT '06	SCALE	NTS
		DRAWING	ZLRG2140	REVISION	01

1 2 3 4