

1

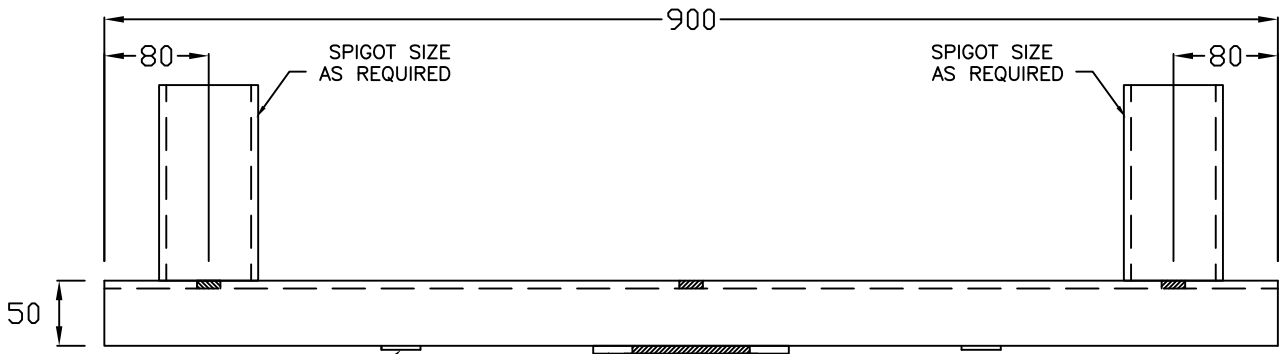
2

3

4

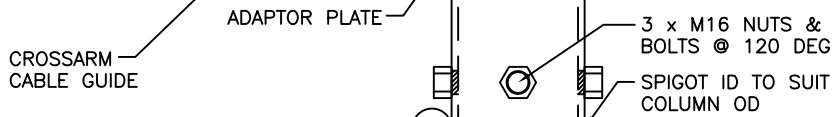
A

A



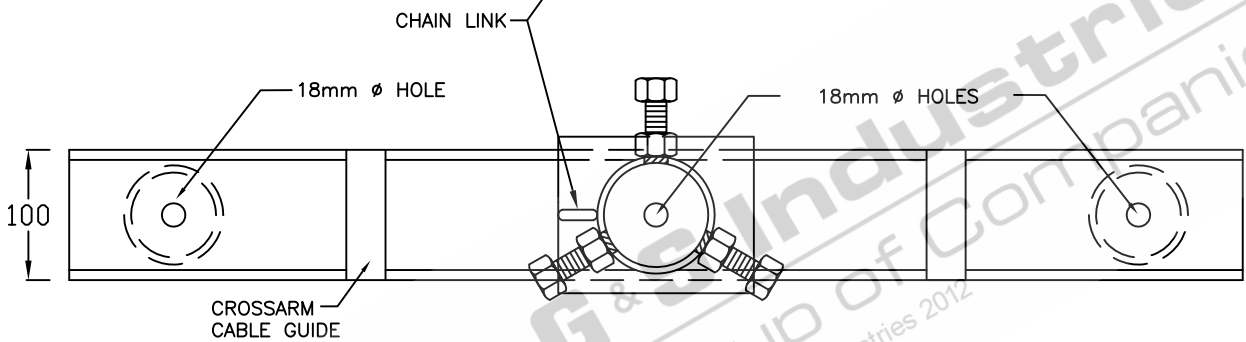
B

B



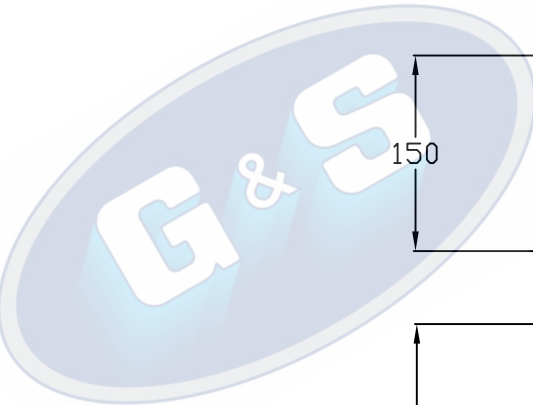
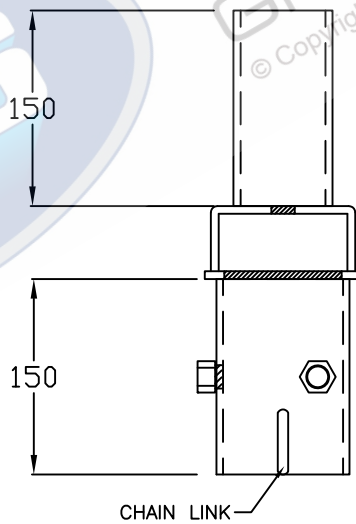
C

C



D

D



STANDARDS

ALL PRODUCTS TO CONFORM TO THE FOLLOWING AUSTRALIAN STANDARDS

- AS 1170.2: Structural design actions - Wind actions.
- AS 1302: Geometrical product specifications indication of surface texture in technical production documentation.
- AS 1554(set): Structural steel welding set.
- AS 2159: Piling - Design & Installation.
- AS 2870: Residential slab footings - Construction.
- AS 3600: Concrete structures.
- AS 3678: Structural steel - Hot rolled plates, floorplates and slabs.
- AS 4680: Hot dip galvanized (Zinc) Coatings on fabricated ferrous articles.
- AS/NZS 4671: Steel reinforcing materials.
- AS/NZS 4600: Cold formed steel structures.
- AS/NZS 4676: Structural design requirements for utility services poles.

TOTAL WEIGHT: 8.7KG's

E

E



G&S Industries

97 GUTHRIE STREET, OSBORNE PARK W.A. 6017
 PH (08) 9446 8044. (08) 9446 8266
 FAX (08) 9446 5456

JOB NO.	DATE:	DESIGN:	DRAWN:
CA900S2		Z.L.	Z.L.
900mm CROSSARM (SPIGOT MOUNTED)		CHECKED:	APPROVED:
SUIT 2 LIGHT		R.G.	Y
890212A		LAST REVISED:	SCALE:
		20 MAY '10	NTS
		DRAWING:	REVISION:
		ZLRG2170A	02

1

2

3

4