

1

2

3

4

A

A

B

B

C

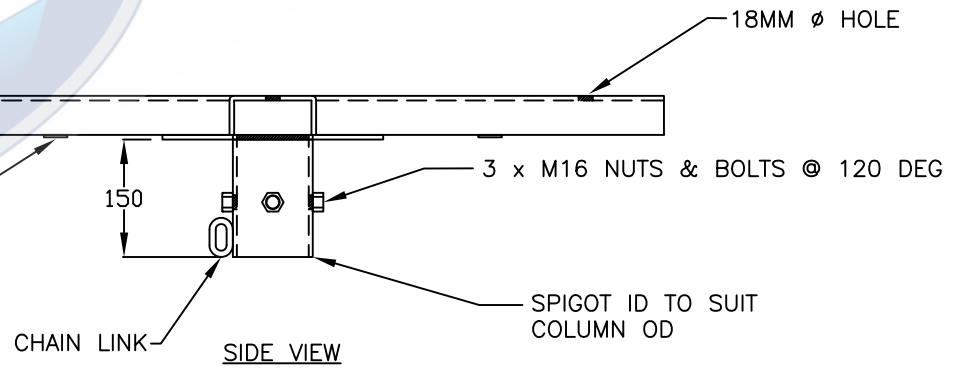
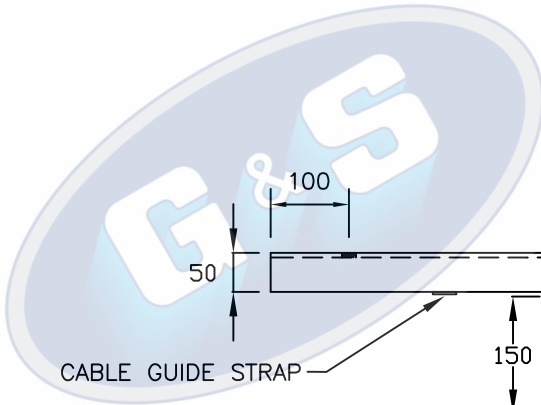
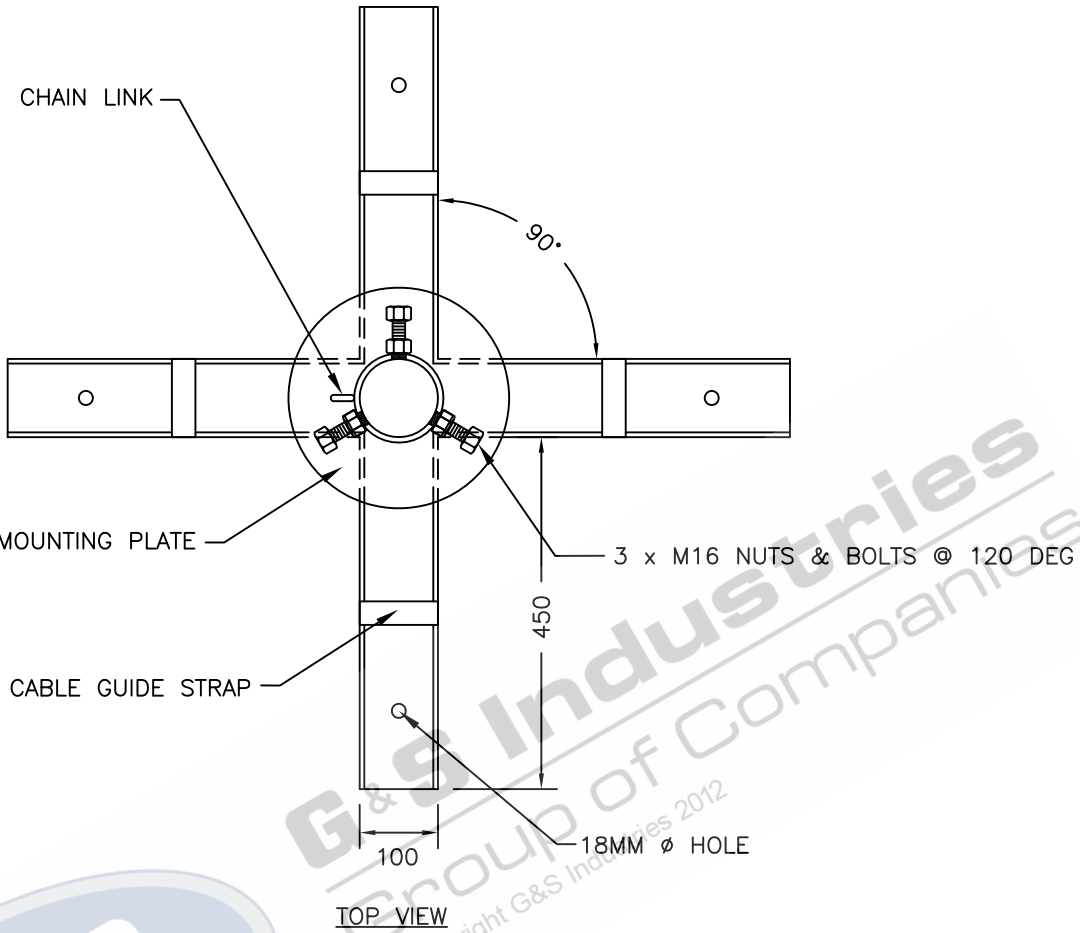
C

D

D

E

E



- STANDARDS
ALL PRODUCTS TO CONFORM TO THE FOLLOWING AUSTRALIAN STANDARDS
- AS 1170.2: Structural design actions - Wind actions.
 - AS 1302: Geometrical product specifications indication of surface texture in technical production documentation.
 - AS 1554(set): Structural steel welding set.
 - AS 2159: Piling - Design & Installation.
 - AS 2870: Residential slab Footings - Construction.
 - AS 3600: Concrete structures.
 - AS 3679: Structural steel - Hot rolled plates, floorplates and slabs.
 - AS 4680: Hot dip galvanized (Zinc) Coatings on fabricated ferrous articles.
 - AS/NZS 4671: Steel reinforcing materials.
 - AS/NZS 4600: Cold Formed steel structures.
 - AS/NZS 4676: Structural design requirements for utility services poles.

TOTAL WEIGHT: 16KG's



97 GUTHRIE STREET, OSBORNE PARK W.A. 6017
 PH (08) 9446 8044. (08) 9446 8266
 FAX (08) 9446 5456

JOB NO.	DATE:	DESIGN:	DRAWN:
CA4WAYT4		S.G.	Z.L.
CROSSARM		CHECKED:	APPROVED:
4 WAY TRUNION MOUNTED		R.G.	Y
890221		LAST REVISED:	SCALE:
		24 MAY '10	NTS
		DRAWING:	REVISION:
		ZLRG2179	02

1

2

3

4