

1

2

3

4

A

A

B

B

C

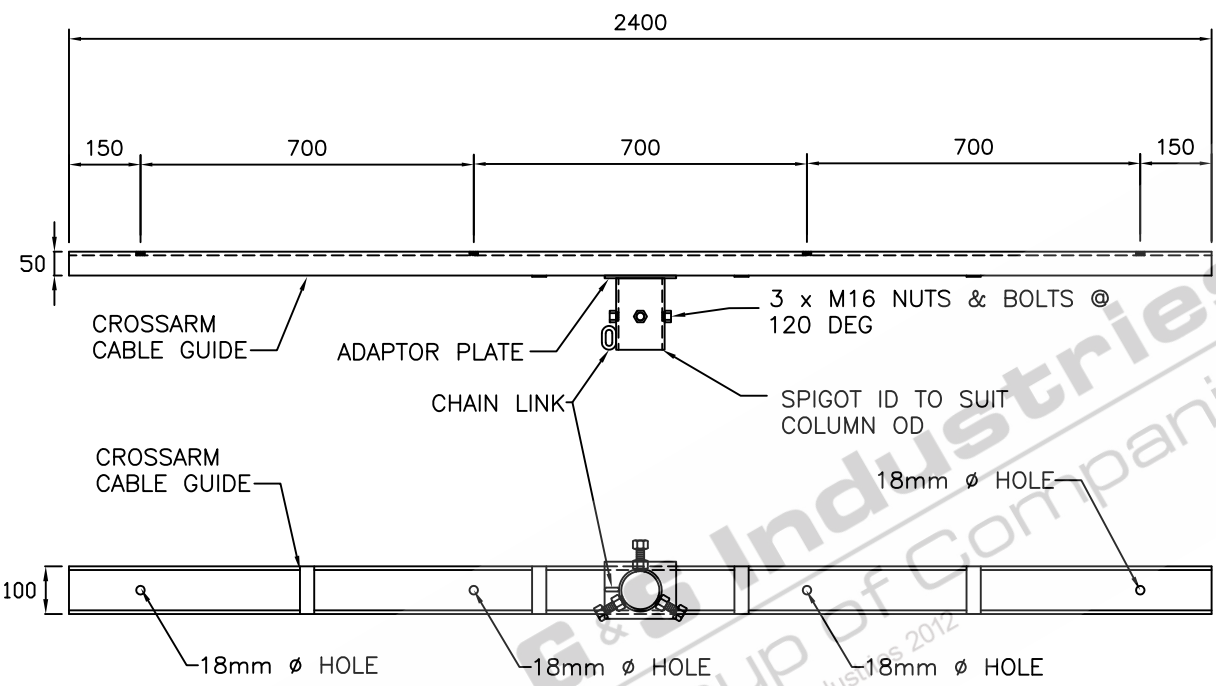
C

D

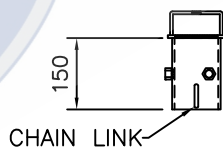
D

E

E



G&S Industries
Group of Companies
© Copyright G&S Industries 2012



- STANDARDS**
ALL PRODUCTS TO CONFORM TO THE FOLLOWING AUSTRALIAN STANDARDS
- AS 1170.2: Structural design actions - Wind actions.
 - AS 1302: Geometrical product specifications Indication of surface texture in technical production documentation.
 - AS 1554(set): Structural steel welding set.
 - AS 2159: Piling - Design & Installation.
 - AS 2870: Residential slab footings - Construction.
 - AS 3600: Concrete structures.
 - AS 3678: Structural steel - Hot rolled plates, floorplates and slabs.
 - AS 4680: Hot dip galvanized (Zinc) Coatings on fabricated ferrous articles.
 - AS/NZS 4671: Steel reinforcing materials.
 - AS/NZS 4600: Cold formed steel structures.
 - AS/NZS 4676: Structural design requirements for utility services poles.

TOTAL WEIGHT: 22KG's

G&S Industries

97 GUTHRIE STREET, OSBORNE PARK W.A. 6017
PH (08) 9446 8044. (08) 9446 8266
FAX (08) 9446 5456

JOB NO.	DATE:
CA2400T4OR6 CROSSARM SUIT 4 OR 6 TRUNION MOUNTED LIGHTS 890219	

DESIGN:	S.G.	DRAWN:	Z.L.
CHECKED:	R.G.	APPROVED:	Y
LAST REVISED:	24 MAY '10	SCALE:	NTS
DRAWING:	ZLRG2177	REVISION:	03

1

2

3

4