

1 2 3 4

A

A

B

B

C

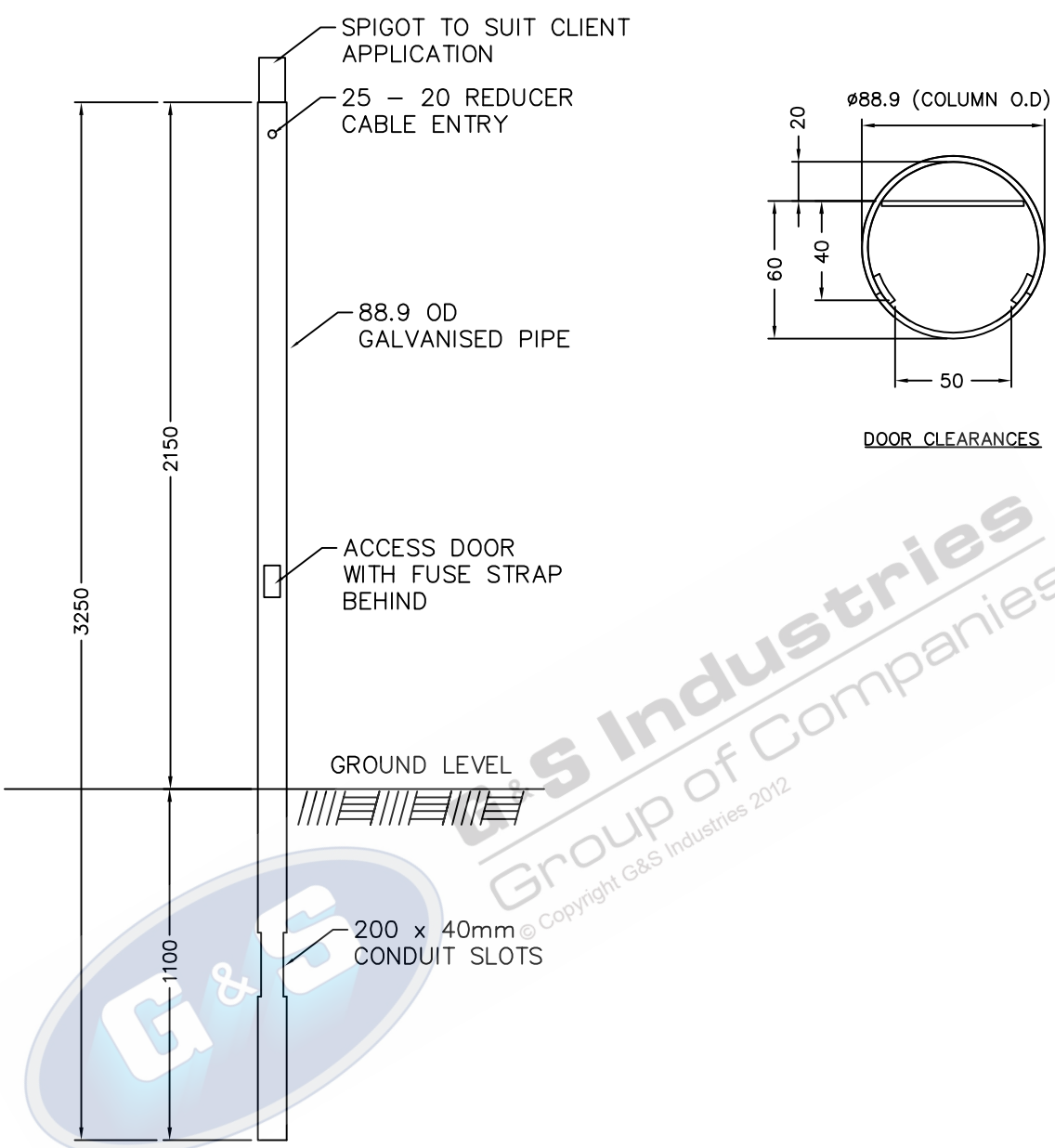
C

D

D

E

E



COLUMN WEIGHT: 27KG's

- STANDARDS**
 ALL PRODUCTS TO CONFORM TO THE FOLLOWING AUSTRALIAN STANDARDS
- * AS 1170.2: Structural design actions – Wind actions.
 - * AS 1302: Geometrical product specifications indication of surface texture in technical production documentation.
 - * AS 1554(set) Structural steel welding set.
 - * AS 2159: Piling – Design & Installation.
 - * AS 2870: Residential slab footings – Construction.
 - * AS 3600: Concrete structures.
 - * AS 3678: Structural steel – Hot rolled plates, floorplates and slabs.
 - * AS 4680: Hot dip galvanized (Zinc) Coatings on fabricated ferrous articles.
 - * AS/NZS 4671: Steel reinforcing materials.
 - * AS/NZS 4600: Cold formed steel structures.
 - * AS/NZS 4676: Structural design requirements for utility services poles.

G&S Industries
 97 GUTHRIE STREET OSBORNE PARK W.A. 6017
 PH. (08) 9446 8044, (08) 9446 8266
 FAX (08) 9446 5456

| | |
|--------------------------|------|
| JOB No | DATE |
| POST TOP COLUMN C88D3.25 | |
| 88.9 OD | |
| 3250mm | |
| 650010 | |

| | |
|--------------------------|--------------|
| DESIGN: SG | DRAWN: ZL |
| CHECKED: RG | APPROVED: Y |
| LAST REVISED: 4 SEPT '06 | SCALE: NTS |
| DRAWING: ZLRG2104 | REVISION: 01 |

1 2 3 4