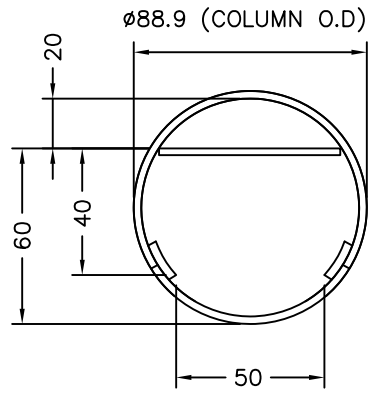
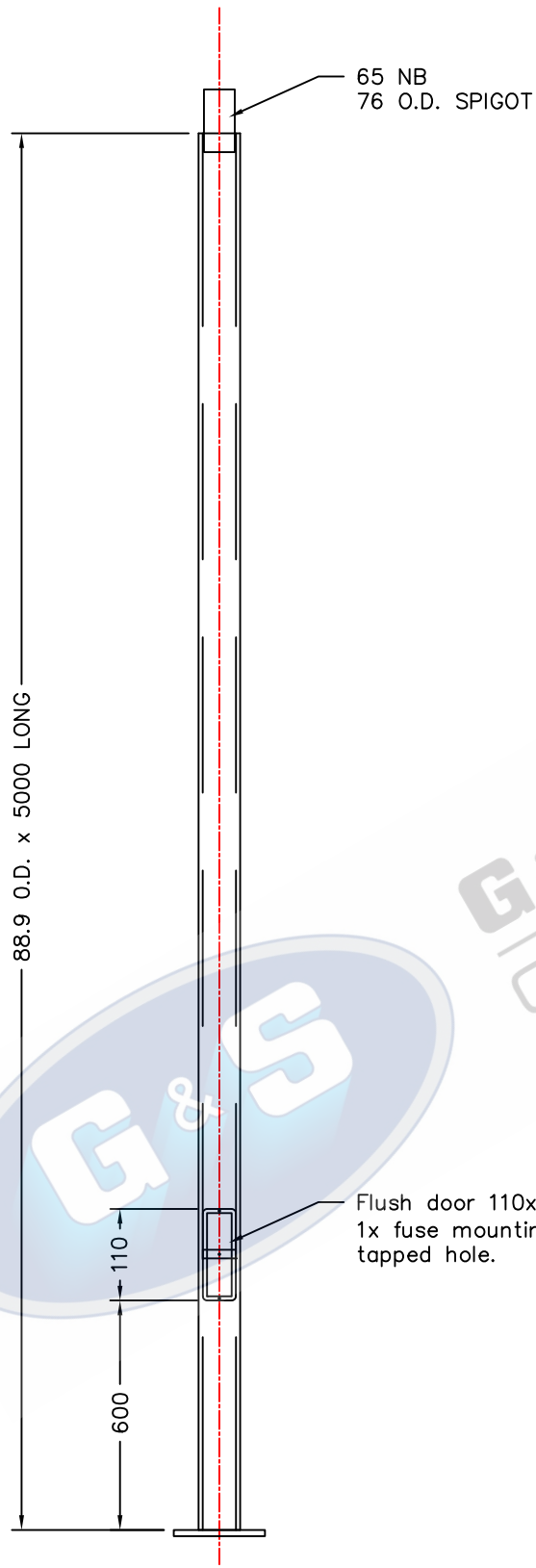


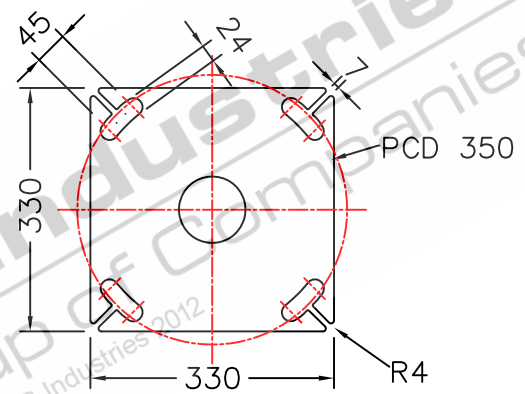
1 2 3 4

A

A



DOOR CLEARANCES



J3B
BASEPLATE DETAILS

Flush door 110x50 clear opening with
1x fuse mounting strap C/W 6mm
tapped hole.

COLUMN WEIGHT: 49KG'S

- STANDARDS**
ALL PRODUCTS TO CONFORM TO THE FOLLOWING AUSTRALIAN STANDARDS
- * AS 1170.2: Structural design actions - Wind actions.
 - * AS 1302: Geometrical product specifications indication of surface texture in technical production documentation.
 - * AS 1554(set) Structural steel welding set.
 - * AS 2159: Piling - Design & Installation.
 - * AS 2870: Residential slab footings - Construction.
 - * AS 3600: Concrete structures.
 - * AS 3678: Structural steel - Hot rolled plates, floorplates and slabs.
 - * AS 4680: Hot dip galvanized (Zinc) Coatings on fabricated ferrous articles.
 - * AS/NZS 4671: Steel reinforcing materials.
 - * AS/NZS 4600: Cold formed steel structures.
 - * AS/NZS 4676: Structural design requirements for utility services poles.

D

D

E

E

G&S Industries
97 GUTHRIE STREET OSBORNE PARK W.A. 6017
PH. (08) 9446 8044, (08) 9446 8266
FAX (08) 9446 5456

JOB No	DATE:	DESIGN: SG	DRAWN: ZL
CIRCULAR COLUMN C88B5.0 5.0M POST TOP COLUMN BASEPLATE MOUNTED 650036		CHECKED: RG	APPROVED Y
		LAST REVISED: 4 SEPT '06	SCALE NTS
		DRAWING ZLRG2093	REVISION 01

1 2 3 4