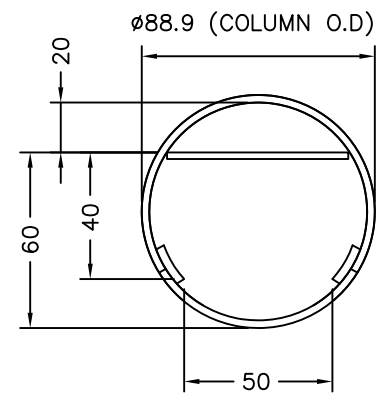
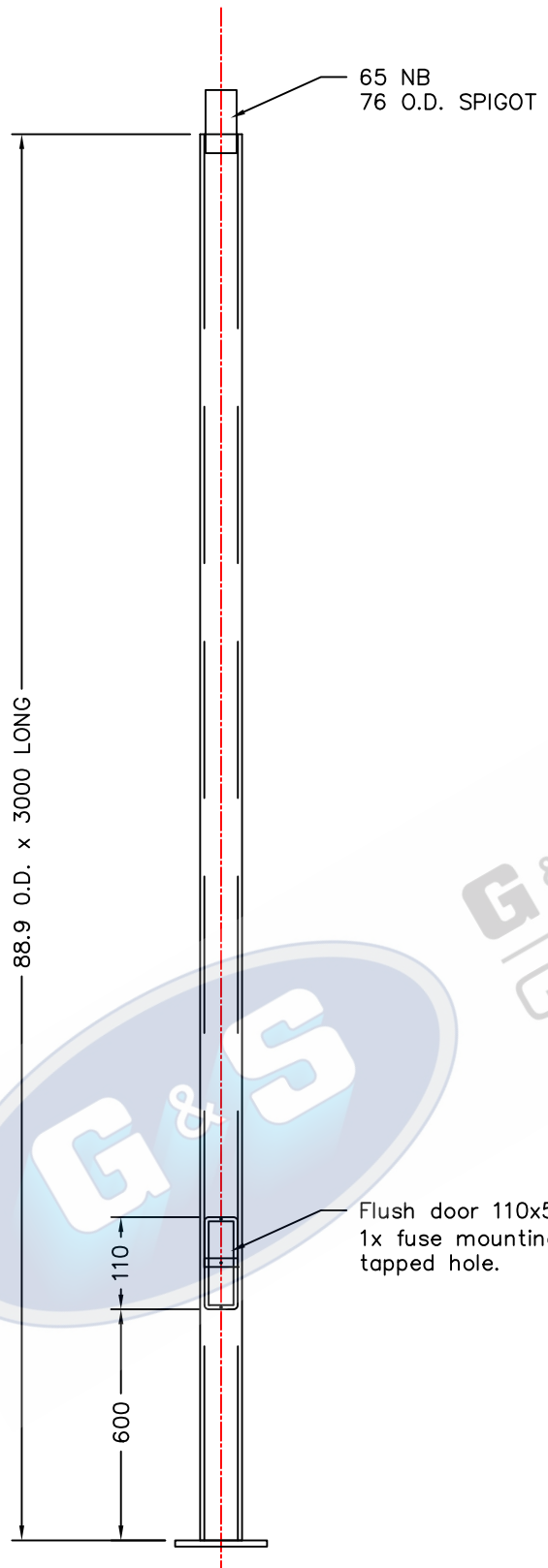


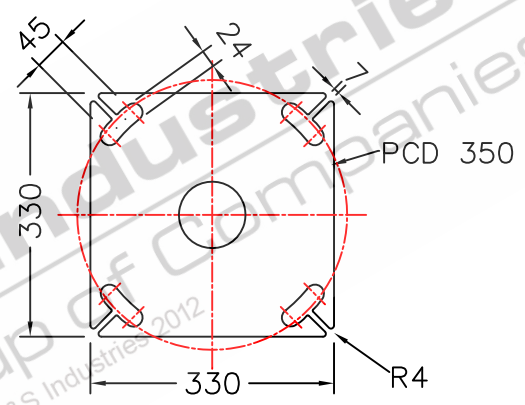
1 2 3 4

A

A



DOOR CLEARANCES



J3B  
BASEPLATE DETAILS

COLUMN WEIGHT: 32KG'S

- STANDARDS**  
 ALL PRODUCTS TO CONFORM TO THE FOLLOWING AUSTRALIAN STANDARDS
- \* AS 1170.2: Structural design actions - Wind actions.
  - \* AS 1302: Geometrical product specifications indication of surface texture in technical production documentation.
  - \* AS 1554(set): Structural steel welding set.
  - \* AS 2159: Piling - Design & Installation.
  - \* AS 2870: Residential slab footings - Construction.
  - \* AS 3600: Concrete structures.
  - \* AS 3678: Structural steel - Hot rolled plates, floorplates and slabs.
  - \* AS 4680: Hot dip galvanized (Zinc) Coatings on fabricated ferrous articles.
  - \* AS/NZS 4671: Steel reinforcing materials.
  - \* AS/NZS 4600: Cold formed steel structures.
  - \* AS/NZS 4676: Structural design requirements for utility services poles.

D

D

E

E

**G&S Industries**  
 97 GUTHRIE STREET OSBORNE PARK W.A. 6017  
 PH. (08) 9446 8044, (08) 9446 8266  
 FAX (08) 9446 5456

JOB No	DATE:
CIRCULAR COLUMN C88B3 3m POST TOP COLUMN BASEPLATE MOUNTED 650033	

DESIGN: SG	DRAWN: ZL
CHECKED: RG	APPROVED: Y
LAST REVISED: 4 SEPT '06	SCALE: NTS
DRAWING: ZLRG2090	REVISION: 01

1 2 3 4