

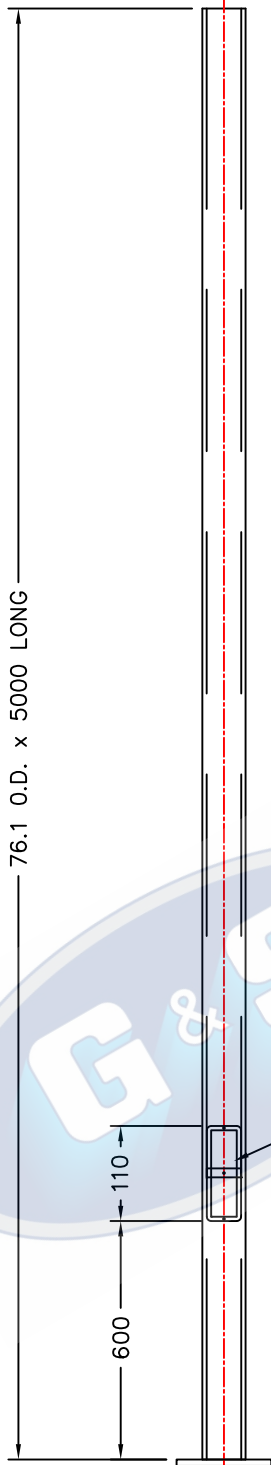
1

2

3

A

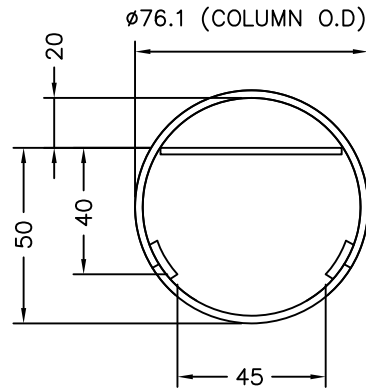
A



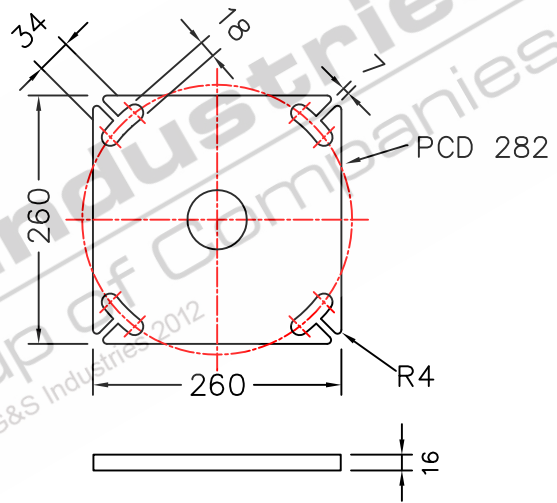
76.1 O.D. x 5000 LONG

110
600

COLUMN WEIGHT: 40KG'S



DOOR CLEARANCES



GKA3B
BASEPLATE DETAILS

Flush door 110x45 clear opening with
1x fuse mounting strap C/W 6mm
tapped hole.

G&S Industries
Group of Companies
© Copyright G&S Industries 2012

- STANDARDS**
ALL PRODUCTS TO CONFORM TO THE FOLLOWING AUSTRALIAN STANDARDS
- * AS 1170.2: Structural design actions – Wind actions.
 - * AS 1302: Geometrical product specifications indication of surface texture in technical production documentation.
 - * AS 1554(set) Structural steel welding set.
 - * AS 2159: Piling – Design & Installation.
 - * AS 2870: Residential slab footings – Construction.
 - * AS 3600: Concrete structures.
 - * AS 3678: Structural steel – Hot rolled plates, floorplates and slabs.
 - * AS 4680: Hot dip galvanized (Zinc) Coatings on fabricated ferrous articles.
 - * AS/NZS 4671: Steel reinforcing materials.
 - * AS/NZS 4600: Cold formed steel structures.
 - * AS/NZS 4676: Structural design requirements for utility services poles.

D

D

E

E



G&S Industries

97 GUTHRIE STREET OSBORNE PARK W.A. 6017
PH. (08) 9446 8044, (08) 9446 8266
FAX (08) 9446 5456

JOB No
DATE:
CIRCULAR COLUMN C76B5.0
5.0M POST TOP COLUMN
BASEPLATE MOUNTED
650030

DESIGN#	SG	DRAW#	ZL
CHECKED#	RG	APPROVED	Y
LAST REVISED:	4 SEPT '10	SCALE	NTS
DRAWING	ZLRG2087	REVISION	02

1

2

3

4