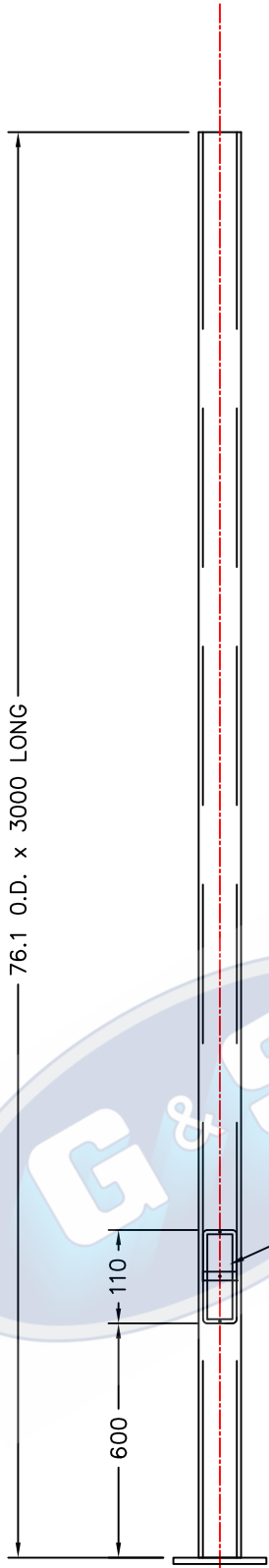
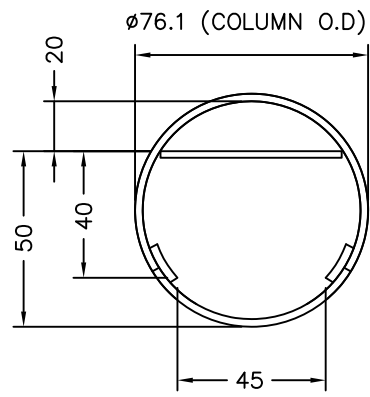


1 2 3 4

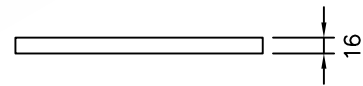
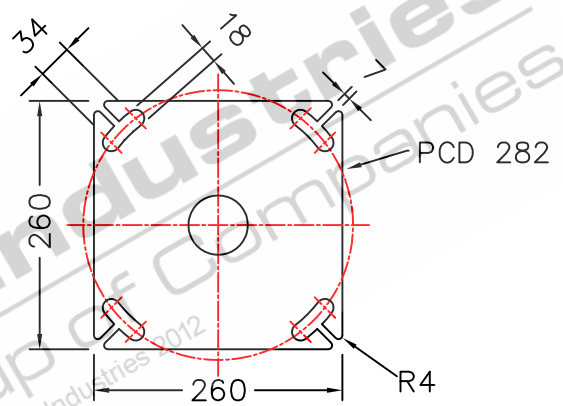


COLUMN WEIGHT: 27KG'S

Flush door 110x45 clear opening with 1x fuse mounting strap C/W 6mm tapped hole.



DOOR CLEARANCES



GKA3B  
BASEPLATE DETAILS

- STANDARDS  
ALL PRODUCTS TO CONFORM TO THE FOLLOWING AUSTRALIAN STANDARDS
- \* AS 1170.2: Structural design actions - Wind actions.
  - \* AS 1302: Geometrical product specifications indication of surface texture in technical production documentation.
  - \* AS 1554(set) Structural steel welding set.
  - \* AS 2159: Piling - Design & Installation.
  - \* AS 2870: Residential slab footings - Construction.
  - \* AS 3600: Concrete structures.
  - \* AS 3678: Structural steel - Hot rolled plates, floorplates and slabs.
  - \* AS 4680: Hot dip galvanized (Zinc) Coatings on fabricated ferrous articles.
  - \* AS/NZS 4671: Steel reinforcing materials.
  - \* AS/NZS 4600: Cold formed steel structures.
  - \* AS/NZS 4676: Structural design requirements for utility services poles.



97 GUTHRIE STREET OSBORNE PARK W.A. 6017  
PH. (08) 9446 8044, (08) 9446 8266  
FAX (08) 9446 5456

JOB No  
DATE:  
CIRCULAR COLUMN C76B3  
3m POST TOP COLUMN  
BASEPLATE MOUNTED  
650027

DESIGN#	SG	DRAW#	ZL
CHECKED#	RG	APPROVED	Y
LAST REVISED:	4 SEPT '10	SCALE	NTS
DRAWING	ZLRG2084	REVISION	02

1 2 3 4