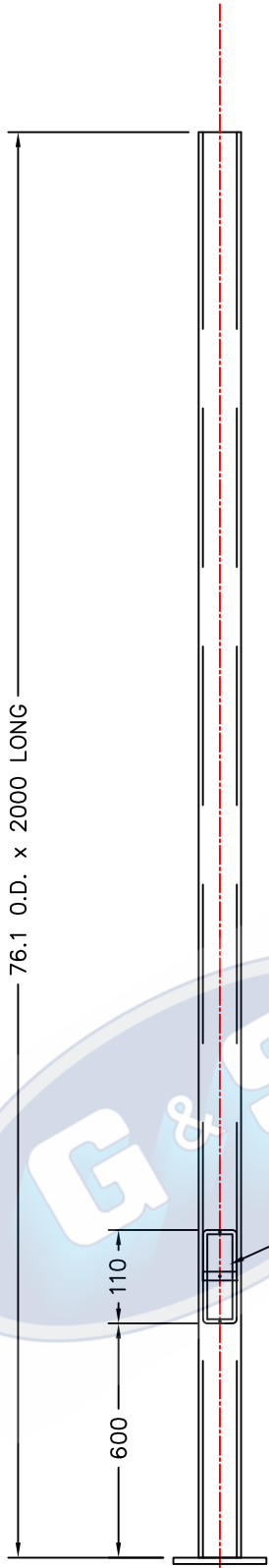
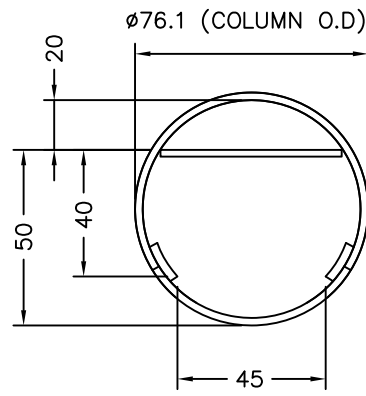


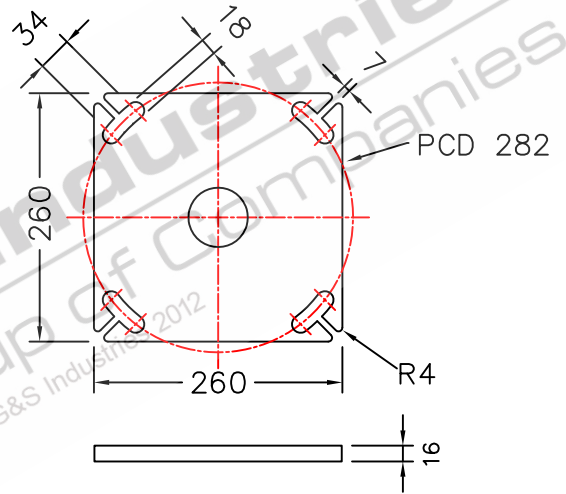
1 2 3 4



COLUMN WEIGHT: 21KG'S



DOOR CLEARANCES



GKA3B  
BASEPLATE DETAILS

Flush door 110x45 clear opening with 1x fuse mounting strap C/W 6mm tapped hole.

STANDARDS

- ALL PRODUCTS TO CONFORM TO THE FOLLOWING AUSTRALIAN STANDARDS
- \* AS 1170.2: Structural design actions - Wind actions.
- \* AS 1302: Geometrical product specifications indication of surface texture in technical production documentation.
- \* AS 1554(set) Structural steel welding set.
- \* AS 2159: Piling - Design & Installation.
- \* AS 2870: Residential slab footings - Construction.
- \* AS 3600: Concrete structures.
- \* AS 3678: Structural steel - Hot rolled plates, floorplates and slabs.
- \* AS 4680: Hot dip galvanized (Zinc) Coatings on fabricated ferrous articles.
- \* AS/NZS 4671: Steel reinforcing materials.
- \* AS/NZS 4600: Cold formed steel structures.
- \* AS/NZS 4676: Structural design requirements for utility services poles.



G&S Industries

97 GUTHRIE STREET OSBORNE PARK W.A. 6017  
PH. (08) 9446 8044, (08) 9446 8266  
FAX (08) 9446 5456

JOB No	DATE:	DESIGN: SG	DRAWN: ZL
CIRCULAR COLUMN C76B2 2m POST TOP COLUMN BASEPLATE MOUNTED 650026		CHECKED: RG	APPROVED Y
		LAST REVISED: 4 SEPT '10	SCALE NTS
		DRAWING ZLRG2083	REVISION 02

1 2 3 4