

1 2 3 4

A

A

B

B

C

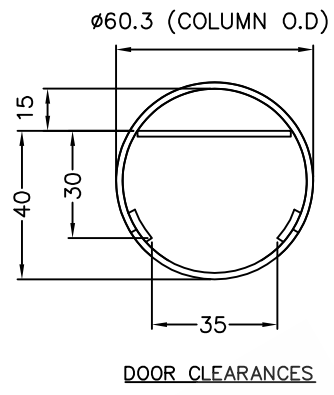
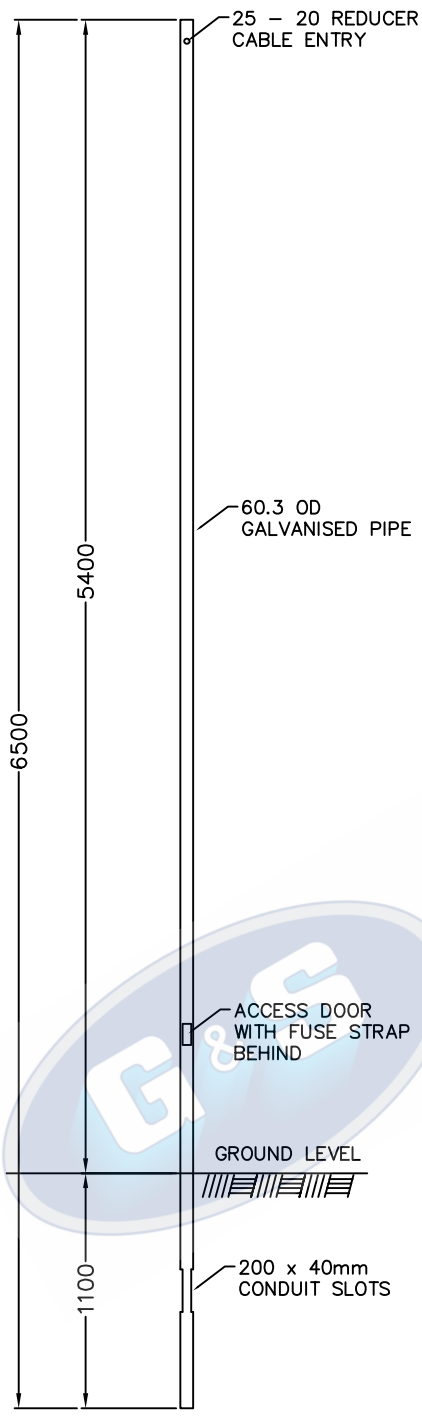
C

D

D

E

E



COLUMN WEIGHT: 33KG's

G & S Industries
 Group of Companies
 © Copyright G&S Industries 2012

- STANDARDS**
 ALL PRODUCTS TO CONFORM TO THE FOLLOWING AUSTRALIAN STANDARDS
- * AS 1170.2: Structural design actions – Wind actions.
 - * AS 1302: Geometrical product specifications indication of surface texture in technical production documentation.
 - * AS 1554(set) Structural steel welding set.
 - * AS 2159: Piling – Design & Installation.
 - * AS 2870: Residential slab footings – Construction.
 - * AS 3600: Concrete structures.
 - * AS 3678: Structural steel – Hot rolled plates, floorplates and slabs.
 - * AS 4680: Hot dip galvanized (Zinc) Coatings on fabricated ferrous articles.
 - * AS/NZS 4671: Steel reinforcing materials.
 - * AS/NZS 4600: Cold formed steel structures.
 - * AS/NZS 4676: Structural design requirements for utility services poles.

G&S Industries
 97 GUTHRIE STREET OSBORNE PARK W.A. 6017
 PH. (08) 9446 8044, (08) 9446 8266
 FAX (08) 9446 5456

JOB No	DATE
POST TOP COLUMN C60D6.5	
60.3 OD	
6500mm	
650004	

DESIGN: SG	DRAWN: ZL
CHECKED: RG	APPROVED: Y
LAST REVISED: 4 SEPT '06	SCALE: NTS
DRAWING: ZLRG2098	REVISION: 01

1 2 3 4