

1

2

3

4

A

A

B

B

C

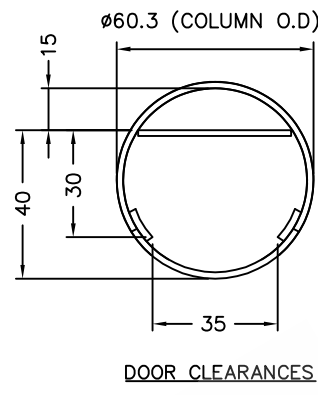
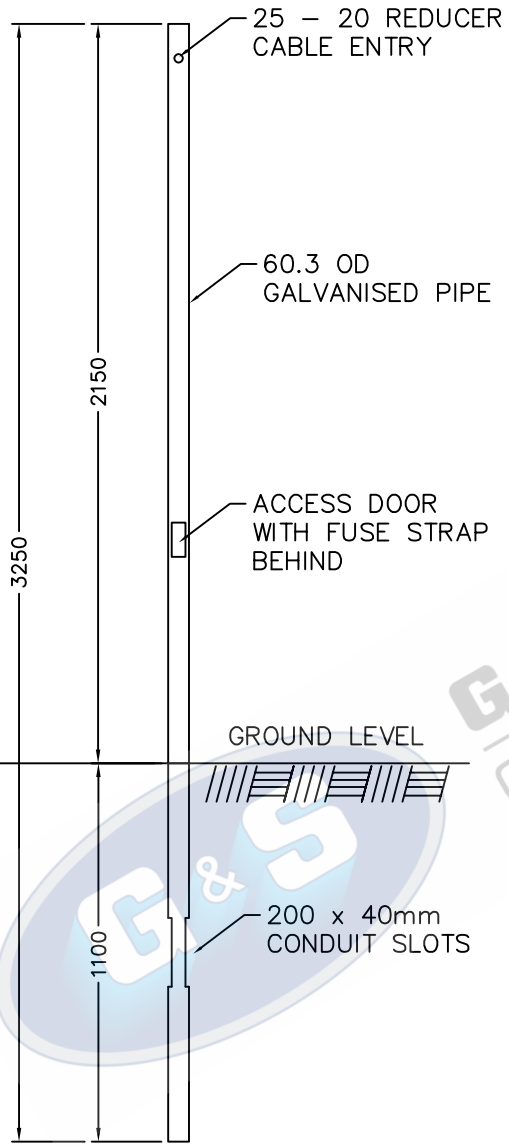
C

D

D

E

E



G & S Industries
 Group of Companies
 © Copyright G&S Industries 2012

COLUMN WEIGHT: 16KG's

- STANDARDS**
 ALL PRODUCTS TO CONFORM TO THE FOLLOWING AUSTRALIAN STANDARDS
- * AS 1170.2: Structural design actions – Wind actions.
 - * AS 1302: Geometrical product specifications indication of surface texture in technical production documentation.
 - * AS 1554(set) Structural steel welding set.
 - * AS 2159: Piling – Design & Installation.
 - * AS 2870: Residential slab footings – Construction.
 - * AS 3600: Concrete structures.
 - * AS 3678: Structural steel – Hot rolled plates, floorplates and slabs.
 - * AS 4680: Hot dip galvanized (Zinc) Coatings on fabricated ferrous articles.
 - * AS/NZS 4671: Steel reinforcing materials.
 - * AS/NZS 4600: Cold formed steel structures.
 - * AS/NZS 4676: Structural design requirements for utility services poles.



97 GUTHRIE STREET OSBORNE PARK W.A. 6017
 PH. (08) 9446 8044, (08) 9446 8266
 FAX (08) 9446 5456

JOB No	DATE	DESIGN: SG	DRAWN: ZL
POST TOP COLUMN C60D3.25		CHECKED: RG	APPROVED: Y
60.3 OD		LAST REVISED: 4 SEPT '06	
3250mm		SCALE: NTS	
650002		DRAWING: ZLRG2096	REVISION: 01

1

2

3

4