

1 2 3 4

A

A

B

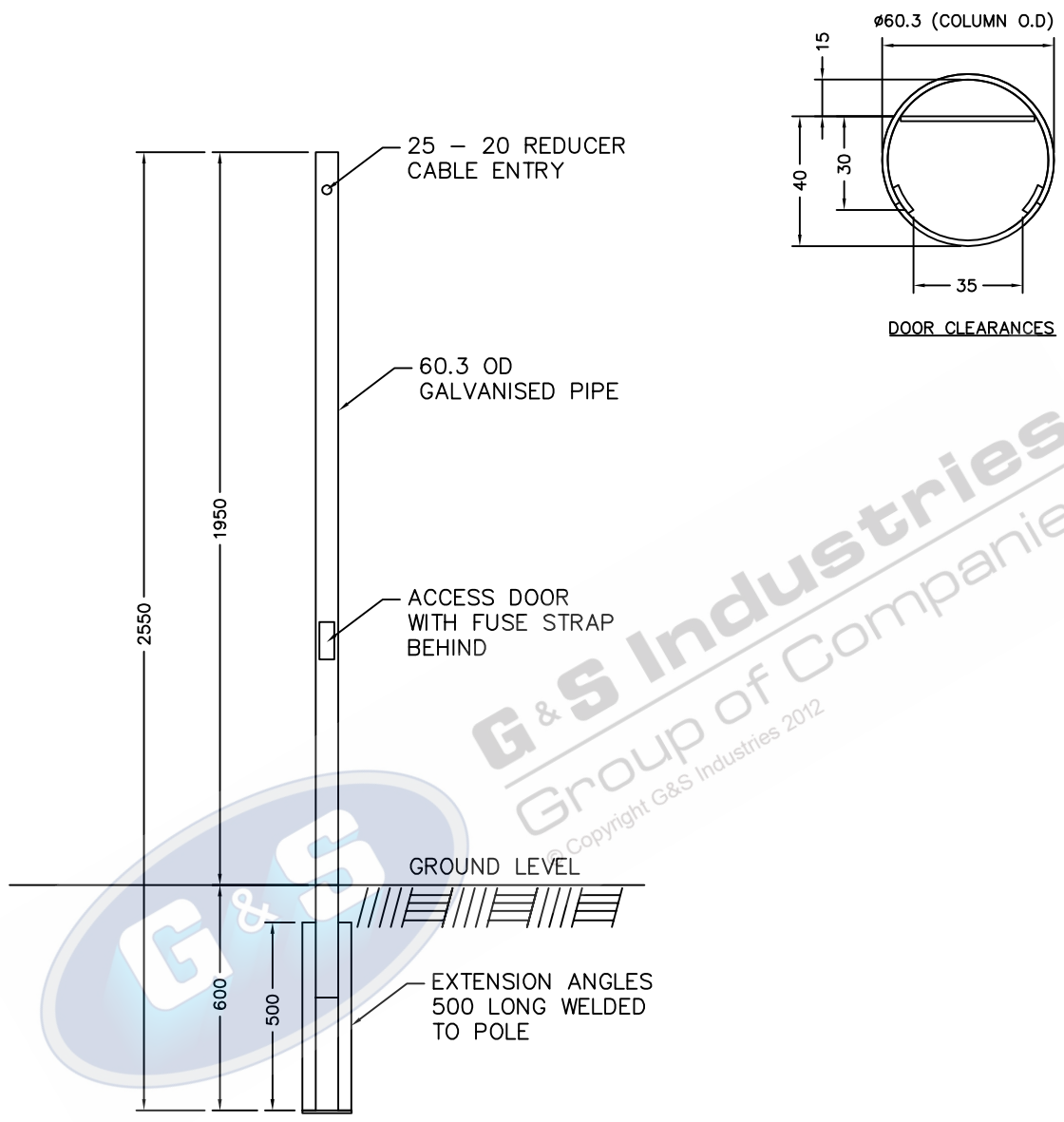
B

C

C

D

D




COLUMN WEIGHT: 13KG's

**G & S Industries**  
 Group of Companies  
 Copyright G&S Industries 2012

- STANDARDS**  
 ALL PRODUCTS TO CONFORM TO THE FOLLOWING AUSTRALIAN STANDARDS
- \* AS 1170.2: Structural design actions – Wind actions.
  - \* AS 1302: Geometrical product specifications indication of surface texture in technical production documentation.
  - \* AS 1554(set) Structural steel welding set.
  - \* AS 2159: Piling – Design & Installation.
  - \* AS 2870: Residential slab footings – Construction.
  - \* AS 3600: Concrete structures.
  - \* AS 3678: Structural steel – Hot rolled plates, floorplates and slabs.
  - \* AS 4680: Hot dip galvanized (Zinc) Coatings on fabricated ferrous articles.
  - \* AS/NZS 4671: Steel reinforcing materials.
  - \* AS/NZS 4600: Cold formed steel structures.
  - \* AS/NZS 4676: Structural design requirements for utility services poles.

E

E

 G&S Industries 97 GUTHRIE STREET OSBORNE PARK W.A. 6017 PH. (08) 9446 8044, (08) 9446 8266 FAX (08) 9446 5456	JOB No	DATE	DESIGN: SG	DRAWN: ZL	
	POST TOP COLUMN C60D2.55		CHECKED: RG	APPROVED: Y	
	60.3 OD		LAST REVISED: 4 SEPT '06		SCALE: NTS
	2550mm		DRAWING: ZLRG2095	REVISION: 01	
650001					

1 2 3 4