

1 2 3 4

A

A

B

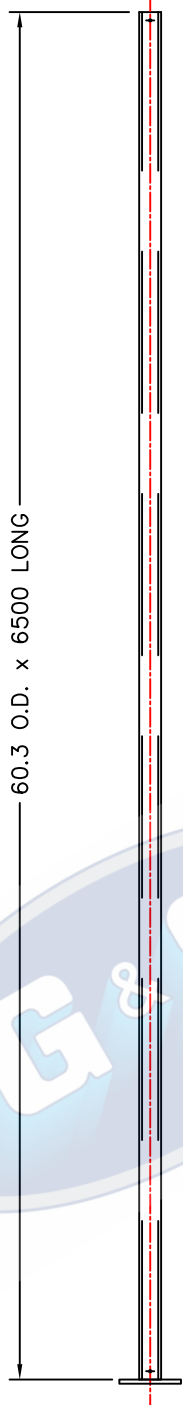
B

C

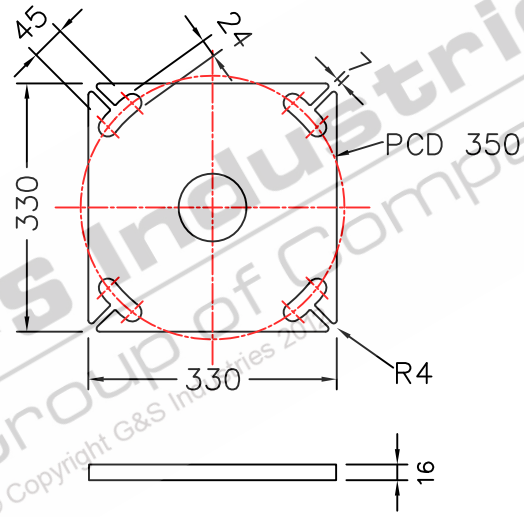
C

D

D



COLUMN WEIGHT: 39KG'S



J3B
BASEPLATE DETAILS

G & S Industries
Group of Companies
© Copyright G&S Industries 2006

STANDARDS

- ALL PRODUCTS TO CONFORM TO THE FOLLOWING AUSTRALIAN STANDARDS
- * AS 1170.2: Structural design actions – Wind actions.
- * AS 1302: Geometrical product specifications indication of surface texture in technical production documentation.
- * AS 1554(set) Structural steel welding set.
- * AS 2159: Piling – Design & Installation.
- * AS 2870: Residential slab footings – Construction.
- * AS 3600: Concrete structures.
- * AS 3678: Structural steel – Hot rolled plates, floorplates and slabs.
- * AS 4680: Hot dip galvanized (Zinc) Coatings on fabricated ferrous articles.
- * AS/NZS 4671: Steel reinforcing materials.
- * AS/NZS 4600: Cold formed steel structures.
- * AS/NZS 4676: Structural design requirements for utility services poles.



G&S Industries

97 GUTHRIE STREET OSBORNE PARK W.A. 6017
PH. (08) 9446 8044, (08) 9446 8266
FAX (08) 9446 5456

JDB No

DATE:

DESIGN: SG

DRAWN: ZL

CIRCULAR COLUMN C60B6.5
6.5m POST TOP COLUMN
BASEPLATE MOUNTED
650025

CHECKED: RG

APPROVED: Y

LAST REVISED: 4 SEPT '06

SCALE: NTS

DRAWING: ZLRG2082

REVISION: 01

1 2 3 4

E

E