

1 2 3 4

A

A

B

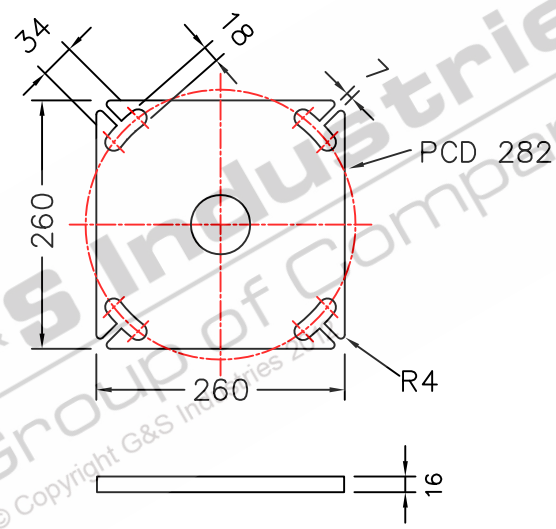
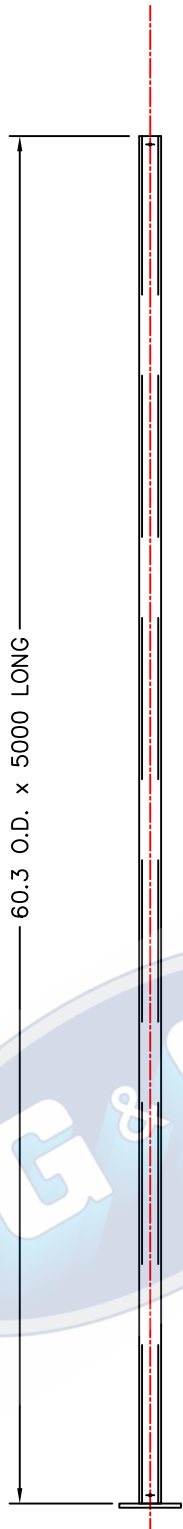
B

C

C

D

D



GKA3B
BASEPLATE DETAILS

COLUMN WEIGHT: 33KG'S

- STANDARDS**
 ALL PRODUCTS TO CONFORM TO THE FOLLOWING AUSTRALIAN STANDARDS
 * AS 1170.2: Structural design actions - Wind actions.
 * AS 1302: Geometrical product specifications indication of surface texture in technical production documentation.
 * AS 1554(set) Structural steel welding set.
 * AS 2159: Piling - Design & Installation.
 * AS 2870: Residential slab footings - Construction.
 * AS 3600: Concrete structures.
 * AS 3678: Structural steel - Hot rolled plates, floorplates and slabs.
 * AS 4680: Hot dip galvanized (Zinc) Coatings on fabricated ferrous articles.
 * AS/NZS 4671: Steel reinforcing materials.
 * AS/NZS 4600: Cold formed steel structures.
 * AS/NZS 4676: Structural design requirements for utility services poles.



97 GUTHRIE STREET OSBORNE PARK W.A. 6017
 PH. (08) 9446 8044, (08) 9446 8266
 FAX (08) 9446 5456

JOB No	DATE:	DESIGN: SG	DRAWN: ZL
CIRCULAR COLUMN C60B5 5m POST TOP COLUMN BASEPLATE MOUNTED 650024		CHECKED: RG	APPROVED Y
		LAST REVISED: 4 SEPT '10	SCALE NTS
		DRAWING ZLRG2081	REVISION 02

1 2 3 4

E

E