

1 2 3 4

A

A

B

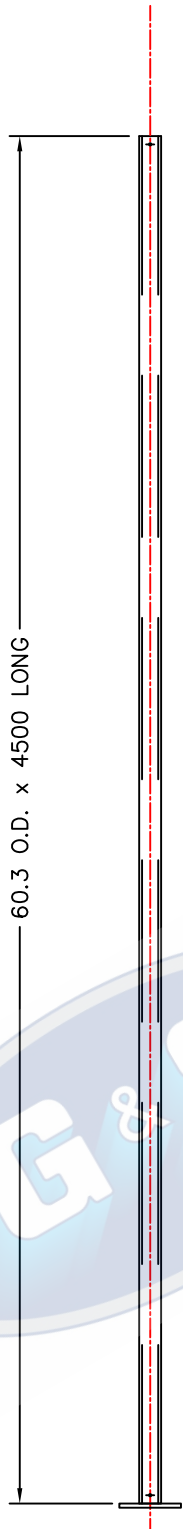
B

C

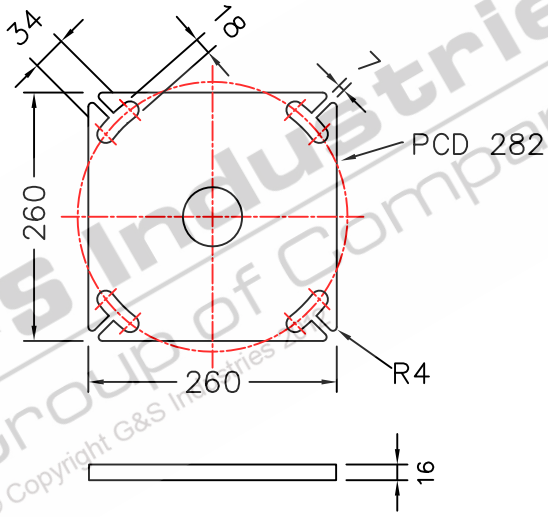
C

D

D



COLUMN WEIGHT: 31KG'S



GKA3B  
BASEPLATE DETAILS

STANDARDS

- ALL PRODUCTS TO CONFORM TO THE FOLLOWING AUSTRALIAN STANDARDS
- \* AS 1170.2: Structural design actions – Wind actions.
- \* AS 1302: Geometrical product specifications indication of surface texture in technical production documentation.
- \* AS 1554(set) Structural steel welding set.
- \* AS 2159: Piling – Design & Installation.
- \* AS 2870: Residential slab footings – Construction.
- \* AS 3600: Concrete structures.
- \* AS 3678: Structural steel – Hot rolled plates, floorplates and slabs.
- \* AS 4680: Hot dip galvanized (Zinc) Coatings on fabricated ferrous articles.
- \* AS/NZS 4671: Steel reinforcing materials.
- \* AS/NZS 4600: Cold formed steel structures.
- \* AS/NZS 4676: Structural design requirements for utility services poles.



G&S Industries

97 GUTHRIE STREET OSBORNE PARK W.A. 6017  
PH. (08) 9446 8044, (08) 9446 8266  
FAX (08) 9446 5456

JOB No	DATE:	DESIGN# SG	DRAW# ZL
CIRCULAR COLUMN C60B4.5 4.5m POST TOP COLUMN BASEPLATE MOUNTED 650023		CHECKED# RG	APPROVED Y
		LAST REVISED: 4 SEPT '10	SCALE NTS
		DRAWING ZLRG2080	REVISION 02

1 2 3 4

E

E