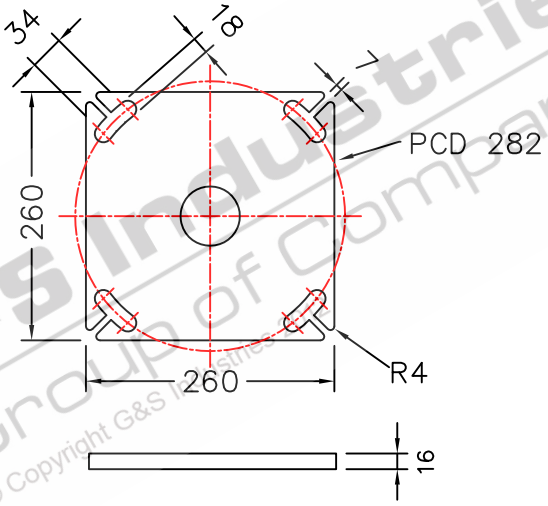


60.3 O.D. x 3500 LONG

COLUMN WEIGHT: 26KG'S



GKA3B
BASEPLATE DETAILS

- STANDARDS
 ALL PRODUCTS TO CONFORM TO THE FOLLOWING AUSTRALIAN STANDARDS
 * AS 1170.2: Structural design actions – Wind actions.
 * AS 1302: Geometrical product specifications indication of surface texture in technical production documentation.
 * AS 1554(set) Structural steel welding set.
 * AS 2159: Piling – Design & Installation.
 * AS 2870: Residential slab footings – Construction.
 * AS 3600: Concrete structures.
 * AS 3678: Structural steel – Hot rolled plates, floorplates and slabs.
 * AS 4680: Hot dip galvanized (Zinc) Coatings on fabricated ferrous articles.
 * AS/NZS 4671: Steel reinforcing materials.
 * AS/NZS 4600: Cold formed steel structures.
 * AS/NZS 4676: Structural design requirements for utility services poles.

G&S Industries
 97 GUTHRIE STREET OSBORNE PARK W.A. 6017
 PH. (08) 9446 8044, (08) 9446 8266
 FAX (08) 9446 5456

JOB No	DATE:
CIRCULAR COLUMN C60B3.5 3.5m POST TOP COLUMN BASEPLATE MOUNTED 650022	

DESIGN# SG	DRAW# ZL
CHECKED# RG	APPROVED Y
LAST REVISED: 4 SEPT '10	SCALE NTS
DRAWING ZLRG2079	REVISION 02