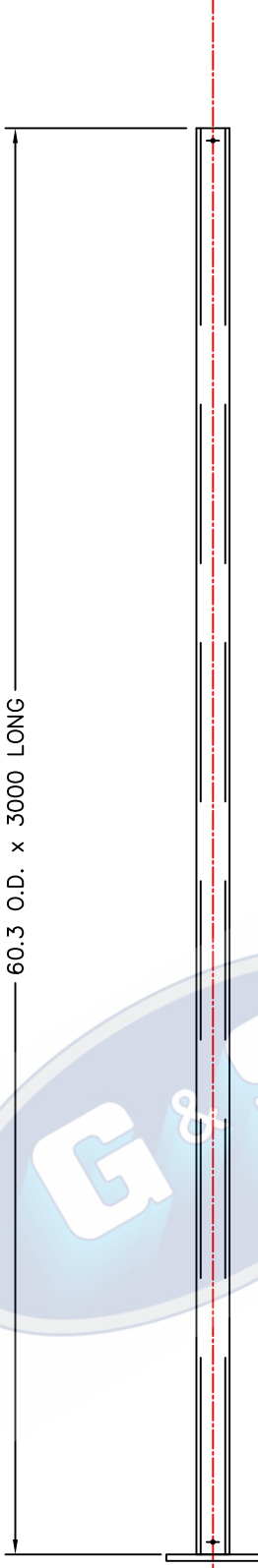
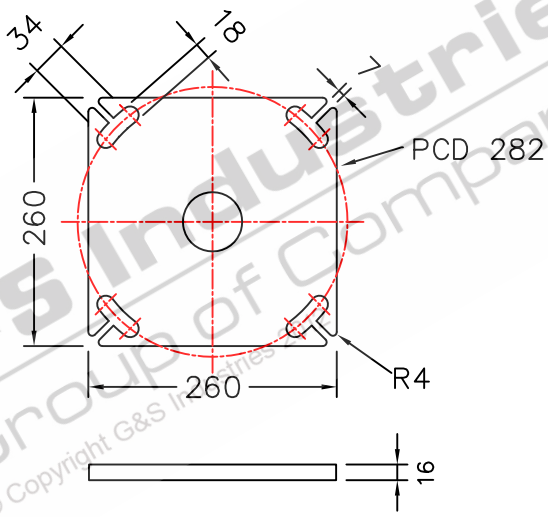


60.3 O.D. x 3000 LONG



COLUMN WEIGHT: 23KG'S



GKA3B
BASEPLATE DETAILS

- STANDARDS
ALL PRODUCTS TO CONFORM TO THE FOLLOWING AUSTRALIAN STANDARDS
- * AS 1170.2: Structural design actions – Wind actions.
 - * AS 1302: Geometrical product specifications indication of surface texture in technical production documentation.
 - * AS 1554(set) Structural steel welding set.
 - * AS 2159: Piling – Design & Installation.
 - * AS 2870: Residential slab footings – Construction.
 - * AS 3600: Concrete structures.
 - * AS 3678: Structural steel – Hot rolled plates, floorplates and slabs.
 - * AS 4680: Hot dip galvanized (Zinc) Coatings on fabricated ferrous articles.
 - * AS/NZS 4671: Steel reinforcing materials.
 - * AS/NZS 4600: Cold formed steel structures.
 - * AS/NZS 4676: Structural design requirements for utility services poles.



97 GUTHRIE STREET OSBORNE PARK W.A. 6017
PH. (08) 9446 8044, (08) 9446 8266
FAX (08) 9446 5456

JOB No	DATE:	DESIGN# SG	DRAW# ZL
CIRCULAR COLUMN C60B3 3m POST TOP COLUMN BASEPLATE MOUNTED 650021		CHECKED# RG	APPROVED Y
		LAST REVISED: 4 SEPT '10	SCALE NTS
		DRAWING ZLRG2078	REVISION 02