

1 2 3 4

A

A

B

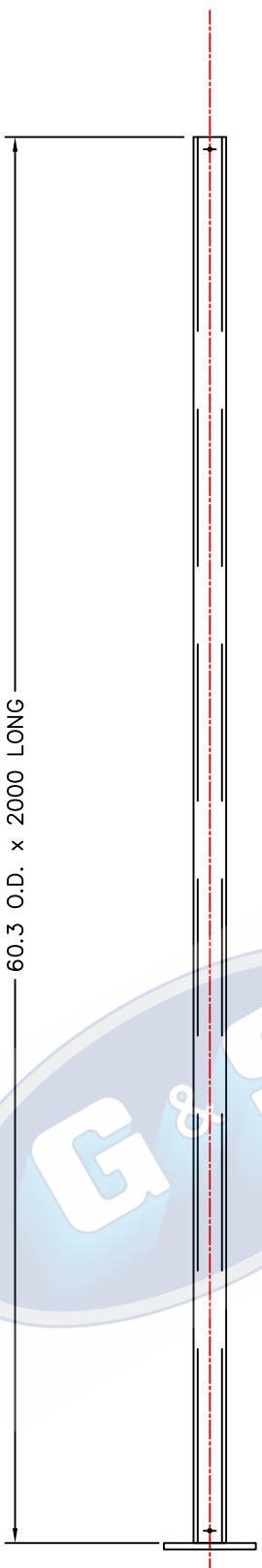
B

C

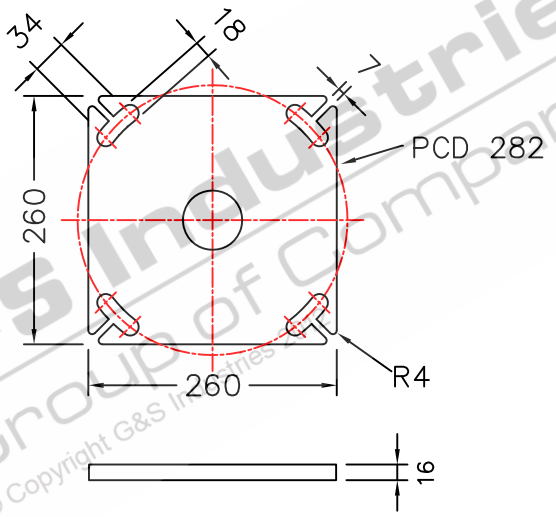
C

D

D



COLUMN WEIGHT: 18KG'S



GKA3B  
BASEPLATE DETAILS

- STANDARDS**  
 ALL PRODUCTS TO CONFORM TO THE FOLLOWING AUSTRALIAN STANDARDS  
 \* AS 1170.2: Structural design actions – Wind actions.  
 \* AS 1302: Geometrical product specifications indication of surface texture in technical production documentation.  
 \* AS 1554(set) Structural steel welding set.  
 \* AS 2159: Piling – Design & Installation.  
 \* AS 2870: Residential slab footings – Construction.  
 \* AS 3600: Concrete structures.  
 \* AS 3678: Structural steel – Hot rolled plates, floorplates and slabs.  
 \* AS 4680: Hot dip galvanized (Zinc) Coatings on fabricated ferrous articles.  
 \* AS/NZS 4671: Steel reinforcing materials.  
 \* AS/NZS 4600: Cold formed steel structures.  
 \* AS/NZS 4676: Structural design requirements for utility services poles.



97 GUTHRIE STREET OSBORNE PARK W.A. 6017  
 PH. (08) 9446 8044, (08) 9446 8266  
 FAX (08) 9446 5456

|  |       |                          |             |
|--|-------|--------------------------|-------------|
| JOB No   | DATE: | DESIGN# SG               | DRAW# ZL    |
| CIRCULAR COLUMN C60B2<br>2m POST TOP COLUMN<br>BASEPLATE MOUNTED<br>650020 |       | CHECKED# RG              | APPROVED Y  |
|  |       | LAST REVISED: 4 SEPT '10 | SCALE NTS   |
|  |       | DRAWING ZLRG2077         | REVISION 01 |

1 2 3 4

E

E