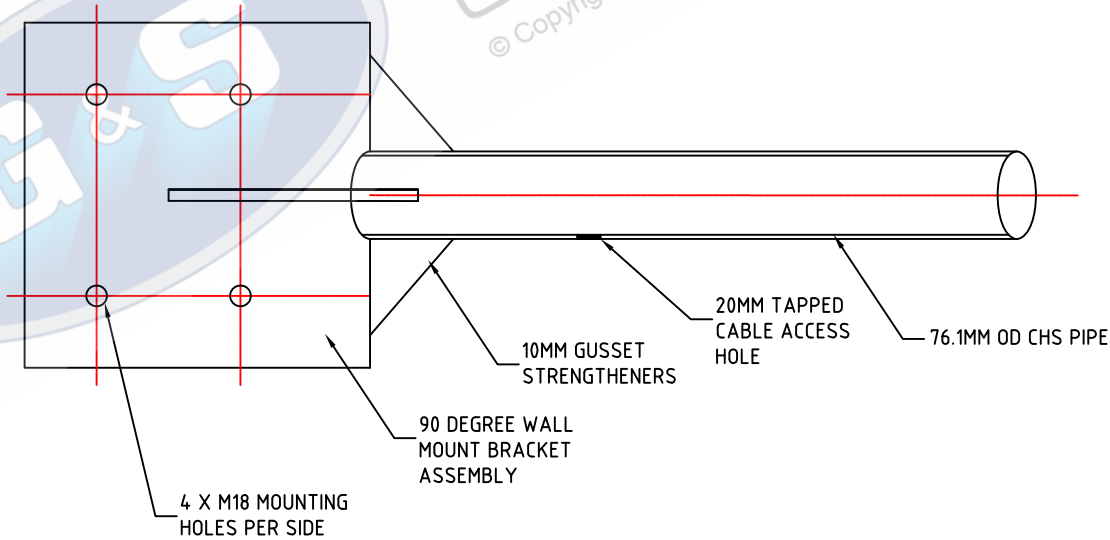


TOP VIEW



SIDE VIEW

G & S Industries
 Group of Companies
 © Copyright G&S Industries

HOT DIPPED GALVANIZED
 EST PRODUCT WEIGHT: 15.5KG'S

STANDARDS
 ALL PRODUCTS TO CONFORM TO THE FOLLOWING AUSTRALIAN STANDARDS
 * AS 1170.2: Structural design actions – Wind actions.
 * AS 1532: Geometrical product specifications Indication of surface texture in technical production documentation.
 * AS 1554(a): Structural steel welding – Construction.
 * AS 2159: Piling – Design & Installation.
 * AS 3270: Structural steel – Roofing – Construction.
 * AS 3800: Concrete structures.
 * AS 3578: Structural steel – Hot rolled plates, floorplates and slabs.
 * AS 4680: Hot dip galvanized (Zn) Coatings on fabricated ferrous articles.
 * AS/NZS 4671: Steel reinforcing materials.
 * AS/NZS 4680: Cold formed steel structures.
 * AS/NZS 4678: Structural design requirements for utility service poles.



87 GUTHRIE STREET, OSBORNE PARK W.A. 6017
 PH (08) 9446 8044, (08) 9446 8298
 FAX (08) 9446 9406

JOB NO. xx	DATE: 14/08/13	DESIGN: S.G.	DRAWN: R.G.
BM02 – CORNER MOUNT BUILDING MOUNTING BRACKET		CHECKED: B.M.	APPROVED: S.G.
		LAST REVISED: 10/09/13	SCALE: NTS SHEET: A3
		DRAWING: ZLRG2544	REVISION: 00 SHEET: 1 OF 1