

1

2

3

4

A

A

B

B

C

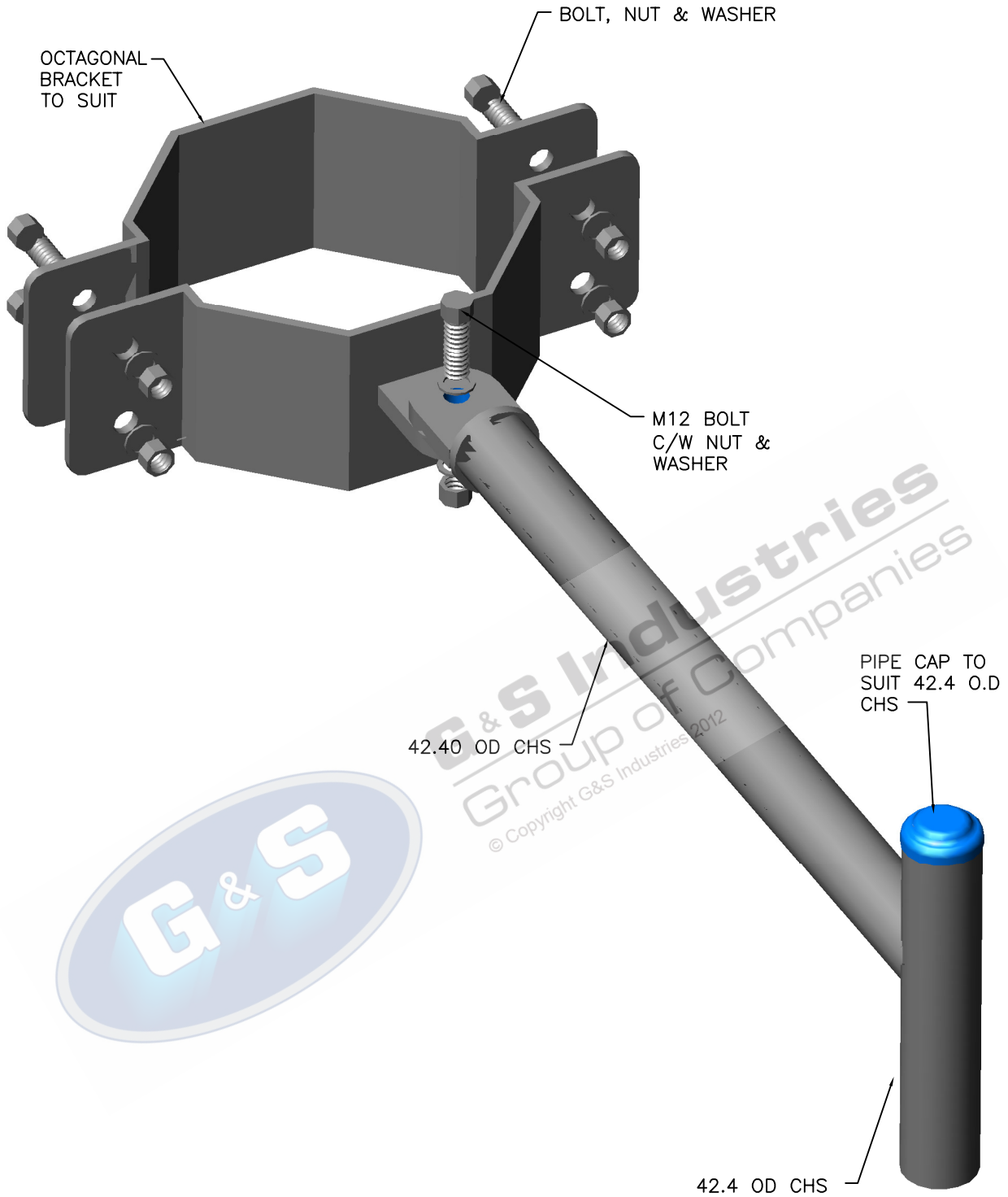
C

D

D

E

E



STANDARDS

ALL PRODUCTS TO CONFORM TO THE FOLLOWING AUSTRALIAN STANDARDS

- AS 1170.2: Structural design actions - Wind actions.
- AS 1302: Geometrical product specifications indication of surface texture in technical production documentation.
- AS 1554(set): Structural steel welding set.
- AS 2159: Piling - Design & Installation.
- AS 2870: Residential slab footings - Construction.
- AS 3600: Concrete structures.
- AS 3678: Structural steel - Hot rolled plates, floorplates and slabs.
- AS 4680: Hot dip galvanized (Zinc) Coatings on fabricated ferrous articles.
- AS/NZS 4671: Steel reinforcing materials.
- AS/NZS 4600: Cold formed steel structures.
- AS/NZS 4676: Structural design requirements for utility services poles.



97 GUTHRIE STREET, OSBORNE PARK W.A. 6017
 PH (08) 9446 8044. (08) 9446 8266
 FAX (08) 9446 5456

JOB NO.	DATE:	DESIGN: S.G.	DRAWN: Z.L.
ADJUSTABLE OCTAGONAL YAGI BRACKET SINGLE ARM AYBOS 720013		CHECKED: R.G.	APPROVED: Y
		LAST REVISED: 2 FEB '07	SCALE: NTS
		DRAWING: ZLRG473	REVISION: 01

1

2

3

4