

1

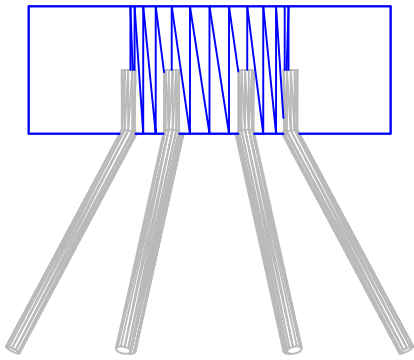
2

3

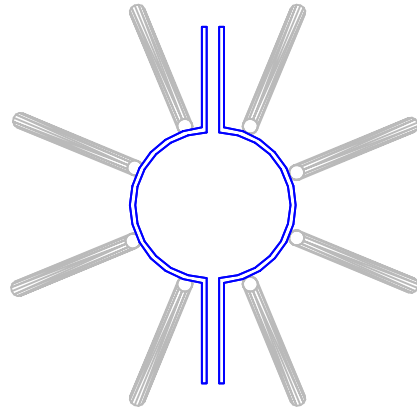
4

A

A



LEFT VIEW



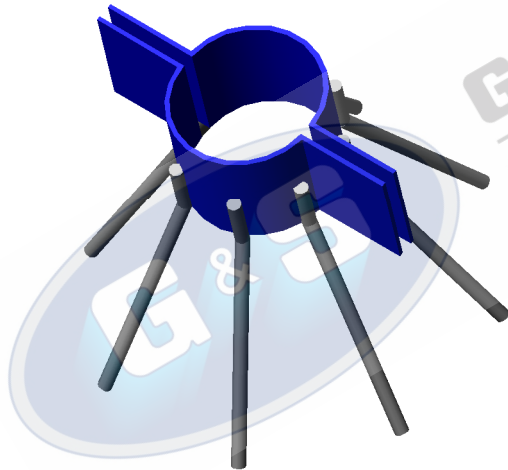
TOP VIEW

B

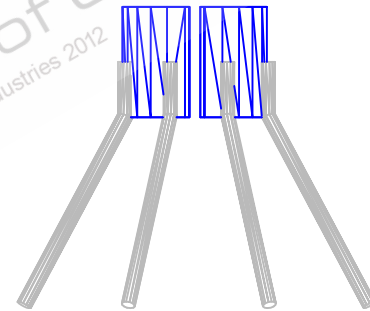
B

C

C



ISOMETRIC VIEW



FRONT VIEW

D

D


G & S Industries
 Group of Companies
 © Copyright G&S Industries 2012

TOTAL WEIGHT: 2.2KG's
 SAIL AREA: 0.007M²

- STANDARDS TO CONFORM TO THE FOLLOWING AUSTRALIAN STANDARDS**
- AS 1170.2: Structural design actions - Wind actions.
 - AS 1302: Geometrical product specifications indication of surface texture in technical production documentation.
 - AS 1554(part) Structural steel welding set.
 - AS 2159: Piling - Design & Installation.
 - AS 2570: Residential slab footings - Construction.
 - AS 3600: Concrete structures.
 - AS 3678: Structural steel - Hot rolled plates, floorplates and slabs.
 - AS 4680: Hot dip galvanized (Zinc) Coatings on fabricated ferrous articles.
 - AS/NZS 4671: Steel reinforcing materials.
 - AS/NZS 4600: Cold formed steel structures.
 - AS/NZS 4678: Structural design requirements for utility services poles.

E

E

 G&S Industries 97 GUTHRIE STREET, OSBORNE PARK W.A. 6017 PH (08) 9446 8044. (08) 9446 8266 FAX (08) 9446 5456	JOB NO.	DATE:	DESIGN: S.G.	DRAWN: Z.L.
	ANTI CLIMB BRACKET PIPE COLUMNS 710031 ATC-DEC		CHECKED: R.G.	APPROVED: Y
			LAST REVISED: 4 SEPT '06	SCALE: NTS
			DRAWING: ZLRG2157	REVISION: 01

1

2

3

4