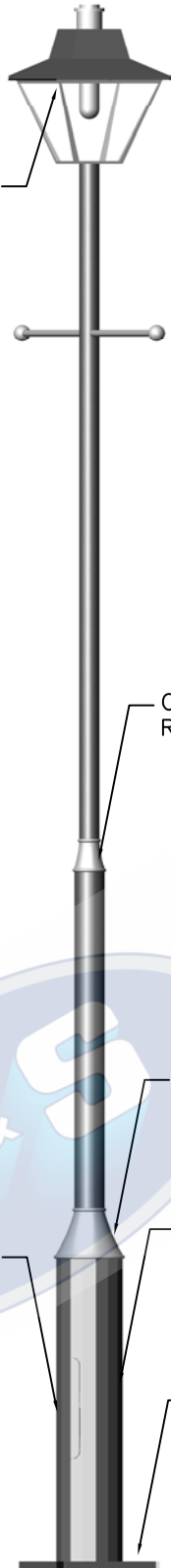
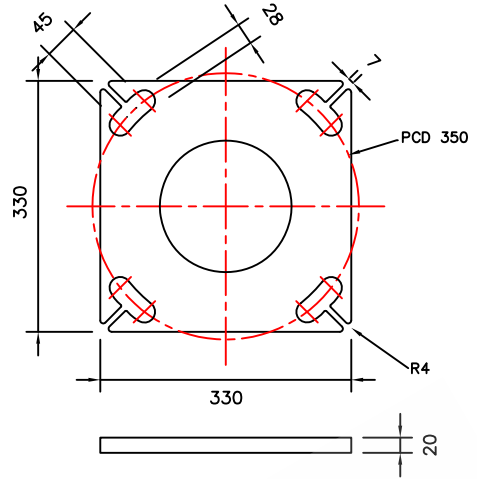


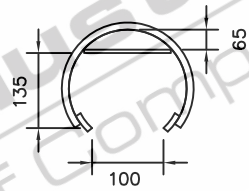
LIGHT FITTING  
SELECTED BY  
CUSTOMERS



**ELEVATION**



**BASEPLATE DETAILS**



**CONTROL GEAR  
CLEARANCE DETAILS**

CONCENTRIC  
REDUCER

CONCENTRIC  
REDUCER

16 SIDED  
BASE SECTION

FLUSH MOUNTED  
ACCESS DOOR

BASEPLATE

**G&S Industries**  
Group of Companies  
© Copyright G&S Industries 2012

- STANDARDS**  
ALL PRODUCTS TO CONFORM TO THE FOLLOWING AUSTRALIAN STANDARDS
- \* AS 1170.2: Structural design actions – Wind actions.
  - \* AS 1302: Geometrical product specifications indication of surface texture in technical production documentation.
  - \* AS 1554(aset) Structural steel welding set.
  - \* AS 2159: Piling – Design & Installation.
  - \* AS 2870: Residential slab footings – Construction.
  - \* AS 3600: Concrete structures.
  - \* AS 3678: Structural steel – Hot rolled plates, floorplates and slabs.
  - \* AS 4680: Hot dip galvanized (Zinc) Coatings on fabricated ferrous articles.
  - \* AS/NZS 4671: Steel reinforcing materials.
  - \* AS/NZS 4600: Cold formed steel structures.
  - \* AS/NZS 4676: Structural design requirements for utility services poles.



G&S Industries

97 GUTHRIE STREET, OSBORNE PARK W.A. 6017  
PH (08) 9446 8044. (08) 9446 8266  
FAX (08) 9446 5456

JOB NO.	DATE:	DESIGN: S.G.	DRAWN: Z.L.
ARCHITECTURAL DECORATIVE ORMOND 640004		CHECKED: R.G.	APPROVED: Y
		LAST REVISED: 4 SEPT '06	SCALE: NTS
		DRAWING: ZLRG2003	REVISION: 01