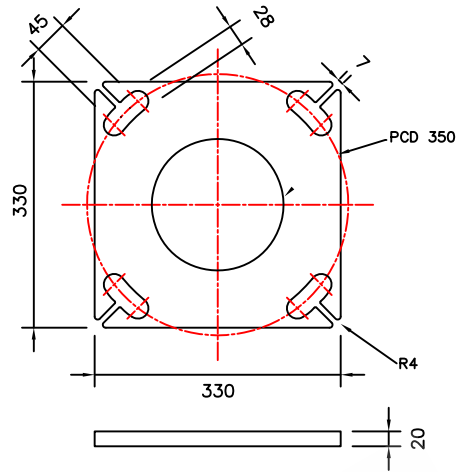
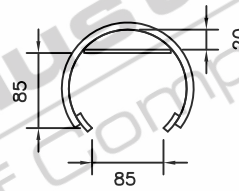




REMOVABLE  
PIPE CAP



**BASEPLATE DETAILS**



**CONTROL GEAR  
CLEARANCE DETAILS**

FLUSH MOUNTED  
ACCESS DOOR

CONCENTRIC  
REDUCER

BASEPLATE

**ELEVATION**

- STANDARDS**  
ALL PRODUCTS TO CONFORM TO THE FOLLOWING AUSTRALIAN STANDARDS
- AS 1170.2: Structural design actions – Wind actions.
  - AS 1302: Geometrical product specifications indication of surface texture in technical production documentation.
  - AS 1554(set) Structural steel welding set.
  - AS 2159: Piling – Design & Installation.
  - AS 2870: Residential slab footings – Construction.
  - AS 3600: Concrete structures.
  - AS 3678: Structural steel – Hot rolled plates, floorplates and slabs.
  - AS 4680: Hot dip galvanized (Zinc) Coatings on fabricated ferrous articles.
  - AS/NZS 4671: Steel reinforcing materials.
  - AS/NZS 4600: Cold formed steel structures.
  - AS/NZS 4676: Structural design requirements for utility services poles.



G&S Industries

97 GUTHRIE STREET, OSBORNE PARK W.A. 6017  
PH (08) 9446 8044. (08) 9446 8266  
FAX (08) 9446 5456

JOB NO.

DATE:

DESIGN:

S.G.

DRAWN:

Z.L.

ARCHITECTURAL DECORATIVE  
SURRIENTO  
640001

CHECKED:

R.G.

APPROVED:

Y

LAST REVISED:

4 SEPT '06

SCALE:

NTS

DRAWING:

ZLRG2000

REVISION:

01