

1

2

3

A

A

B

B

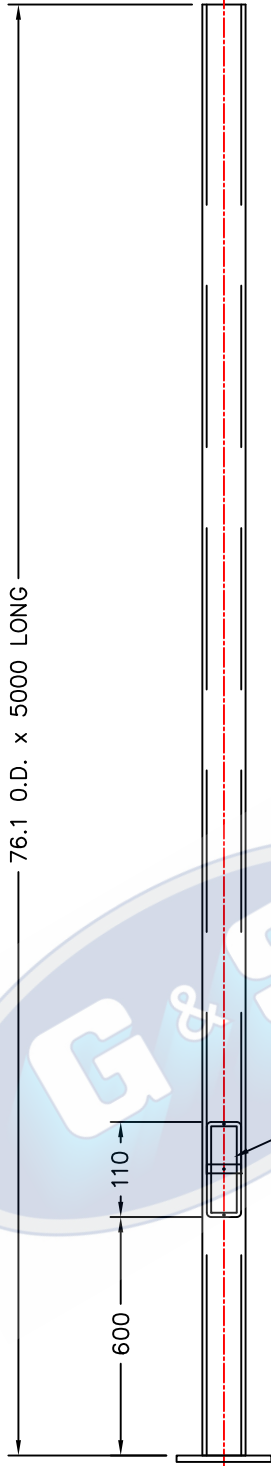
C

C

D

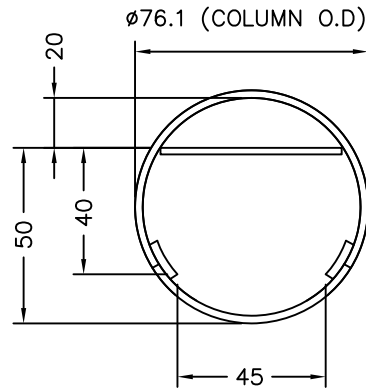
D

76.1 O.D. x 5000 LONG

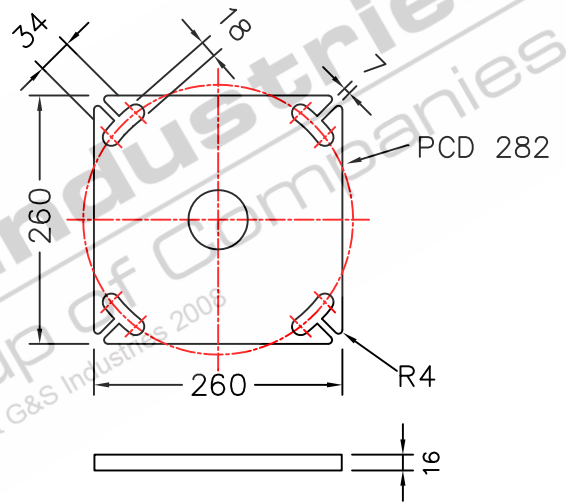


COLUMN WEIGHT: 40KG'S

Flush door 110x45 clear opening with 1x fuse mounting strap C/W 6mm tapped hole.



DOOR CLEARANCES



GKA3B
BASEPLATE DETAILS

STANDARDS

- ALL PRODUCTS TO CONFORM TO THE FOLLOWING AUSTRALIAN STANDARDS
- * AS 1170.2: Structural design actions - Wind actions.
- * AS 1302: Geometrical product specifications indication of surface texture in technical production documentation.
- * AS 1554(set) Structural steel welding set.
- * AS 2159: Piling - Design & Installation.
- * AS 2870: Residential slab footings - Construction.
- * AS 3600: Concrete structures.
- * AS 3678: Structural steel - Hot rolled plates, floorplates and slabs.
- * AS 4680: Hot dip galvanized (Zinc) Coatings on fabricated ferrous articles.
- * AS/NZS 4671: Steel reinforcing materials.
- * AS/NZS 4600: Cold formed steel structures.
- * AS/NZS 4676: Structural design requirements for utility services poles.



G&S Industries

97 GUTHRIE STREET OSBORNE PARK W.A. 6017
PH. (08) 9446 8044, (08) 9446 8266
FAX (08) 9446 5456

JOB No

DATE:

DESIGN: SG

DRAWN: ZL

CIRCULAR COLUMN C76B5.0
5.0M POST TOP COLUMN
BASEPLATE MOUNTED
650030

CHECKED: RG

APPROVED Y

LAST REVISED: 4 SEPT '10

SCALE NTS

DRAWING ZLRG2087

REVISION 02

1

2

3

4

E

E